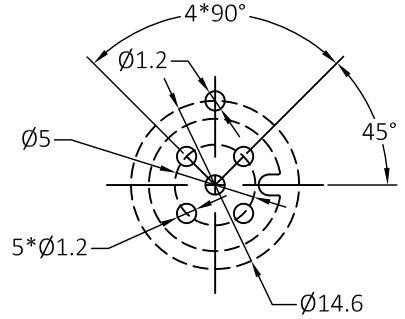
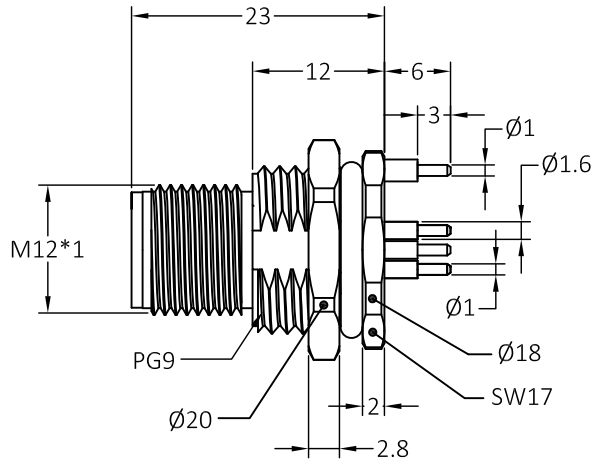
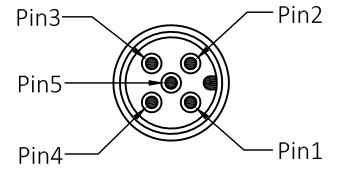


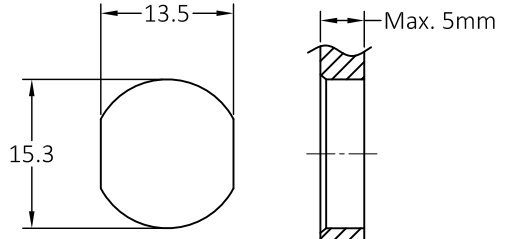
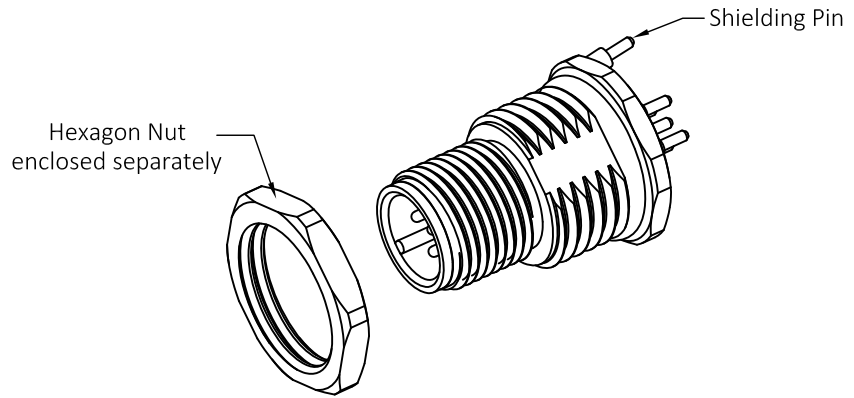
Front view



PCB layout (advice)



Front view of Pin assignment
M12 male A-Coding 5PIN



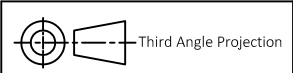
Recommended Panel cut-out

NOTES:

1. Compliant with standard of IEC .
2. Rated Voltage: 60V. Rated Current: 4A .
3. Insulation resistance: $\geq 100 \text{ M}\Omega$ (IEC 60512).
4. Protection degree: IP67 in mated condition (IEC 60529).
5. Screw / nut: CuZn, 120 μ " nickel plated, CNC parts.
6. Contacts material: Brass with 3 μ " gold plated.
7. Connector insert material: PA66 + GF, UL94 V-0, black.
8. Temperature Range: -40~105 $^{\circ}$ C.
9. RoHS compliant.

All rights reserved by Cableforce Electronics Co., Ltd.

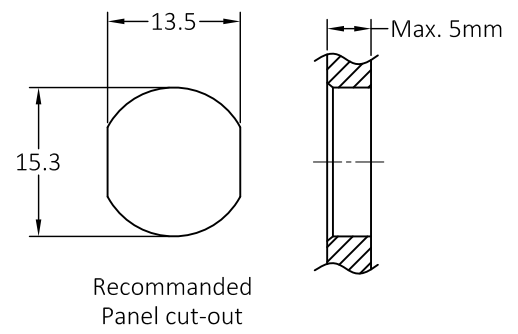
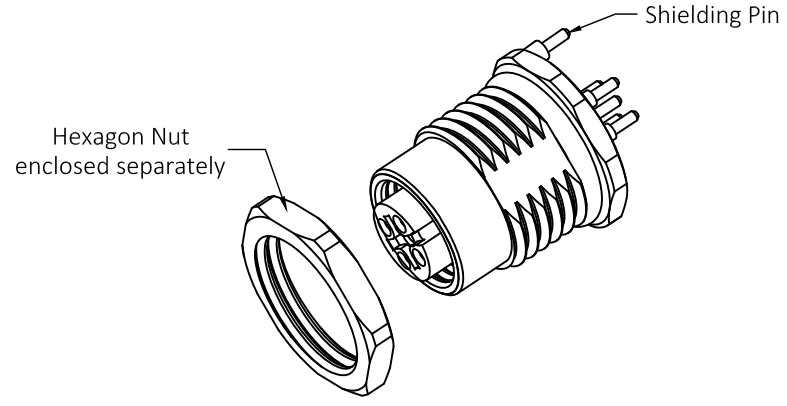
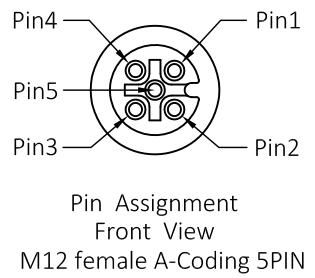
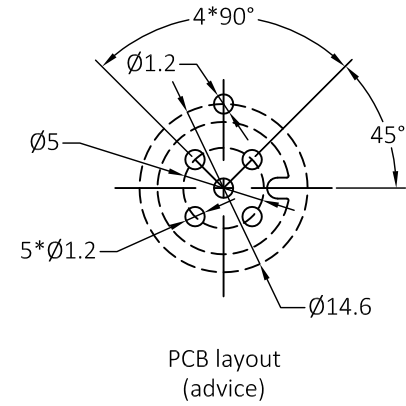
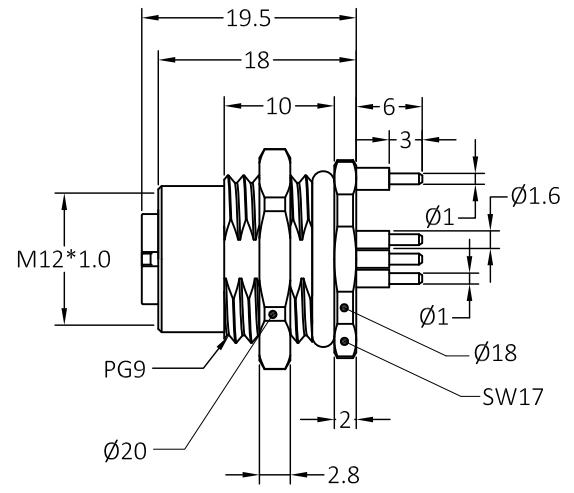
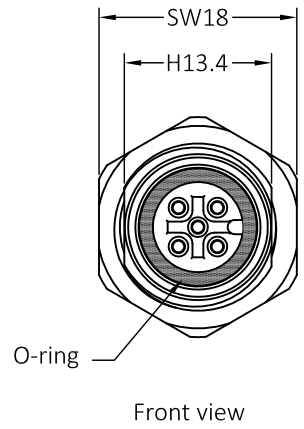
Revision	Description	ECO NO.	Date
A/0	First release	---	Aug. 15, 2016



Cableforce Electronics Co., Ltd.

Drawing No.	CA0496	Part number	MC05P1LPG3ASB-2	Part Name	M12 A-Coding PCB 5Pin, male, front mount, with shielding Pin
CONFIDENTIAL This drawing and the specifications contained herein are the property of Cableforce Electronics Co., Ltd. It may not be reproduced or used in whole or in part for manufacture or sale of products without Cableforce's written permission.	Unless Otherwise Specified	Scale	1.5:1	APPROVAL	Date
	Linear	Unit	mm	Drawn by	Ava Rao
	0.5~6 ± 0.1	Page	1/1	Checked by	
	>6~30 ± 0.2			Customer Approval	
	Angles $\pm 3^{\circ}$				Aug. 15, 2016

Revision	Description	ECO NO.	Date
A/0	First release	---	Dec.21, 2016



NOTES:

1. Compliant with standard of IEC.
2. Rated Voltage: 60V. Rated Current: 4A .
3. Insulation resistance: ≥100 MΩ (IEC 60512).
4. Protection degree: IP67 in mated condition (IEC 60529).
5. Screw / nut: CuZn, 120μ" nickel plated, CNC parts.
6. Contacts material: phosphor bronze with 3μ" gold plated.
7. Connector insert material: PA66 + GF, UL94 V-0, black.
8. EMI Shielding: Shielded
9. Temperature Range: -40~105°C.
10. RoHS compliant.

Third Angle Projection		Cableforce Electronics Co., Ltd.	
Drawing No.	CA0486	Part number	MC05P2LPG3ASB-2
		Part name	M12 female, A-Coding 5Pin, front mount, PCB, shielding Pin
CONFIDENTIAL This drawing and the specifications contained herein are the property of Cableforce Electronics Co., Ltd. It may not be reproduced or used in whole or in part for manufacture or sale of products without Cableforce's written permission.		Scale	1.5:1
		Unit	mm
		Page	1/1
		Angles	±3°
		APPROVAL	Date
		Drawn by	Ava Rao
		Checked by	
		Customer Approval	
			Dec.21, 2016