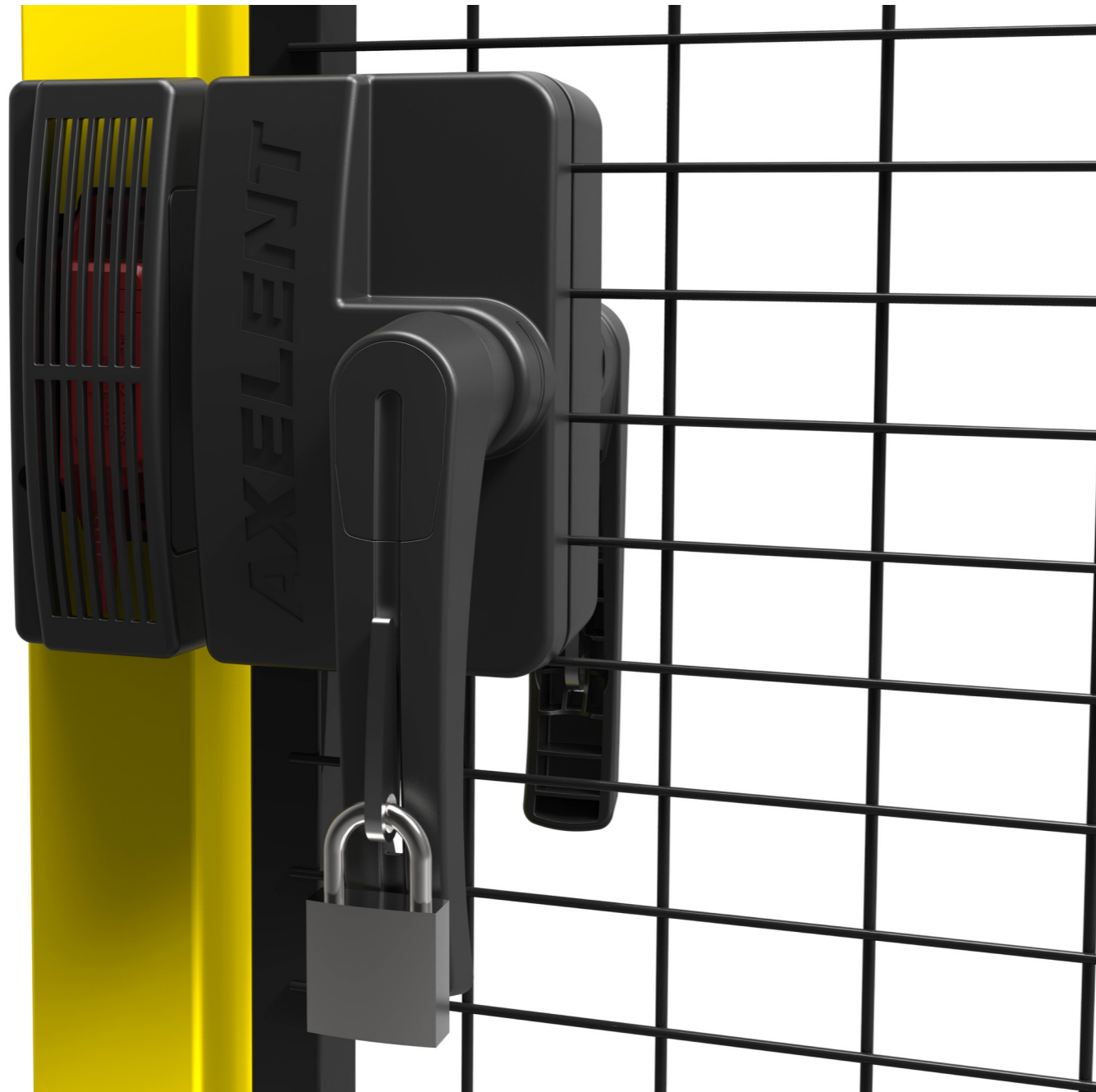


# Axeleent Locks

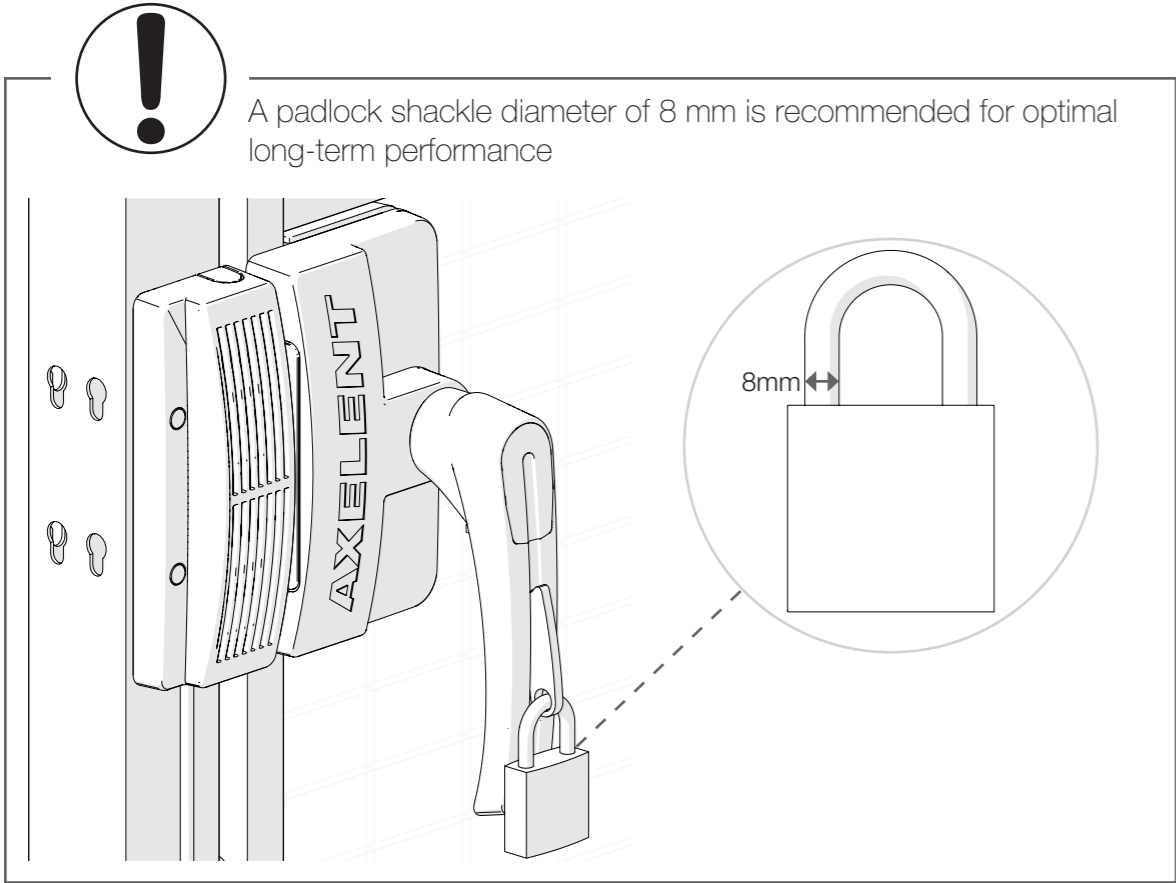
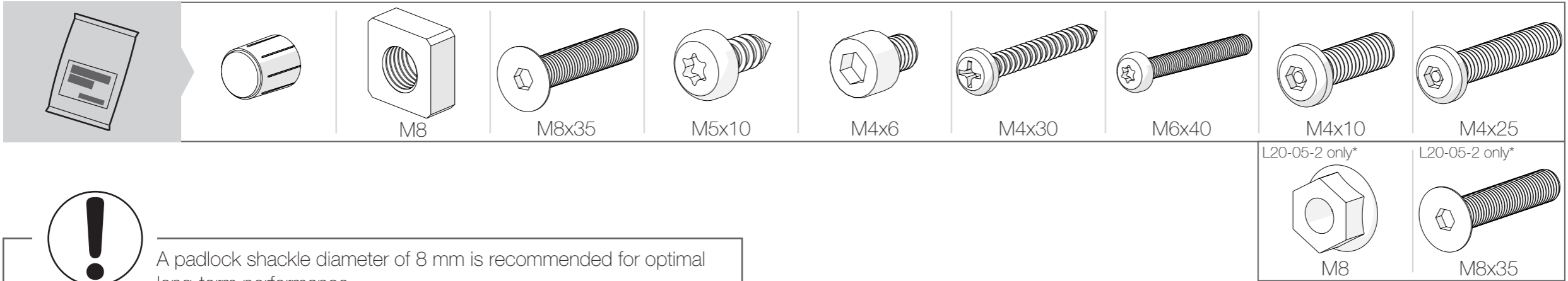
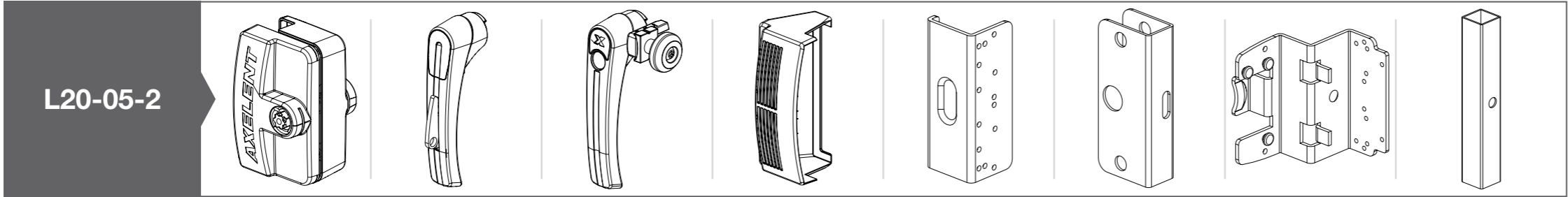
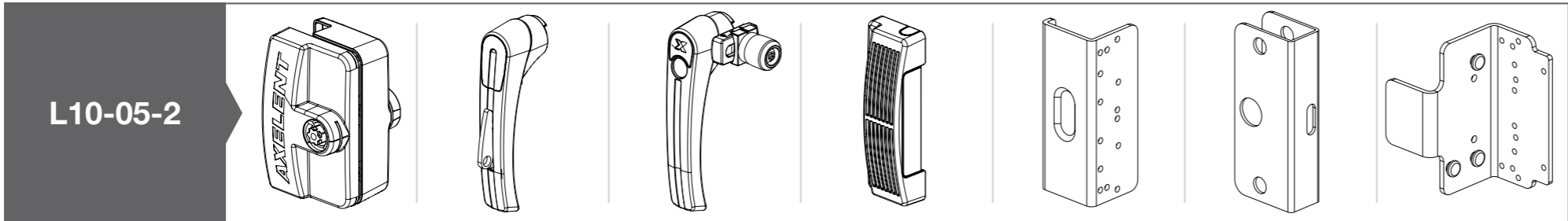
Hitch-Lock



**AXELENT AB**

[WWW.AXELENT.COM](http://WWW.AXELENT.COM)

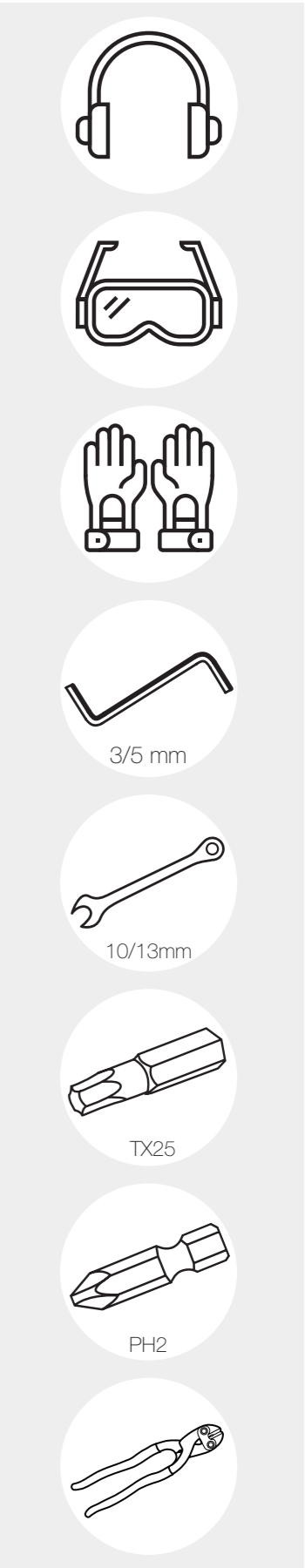


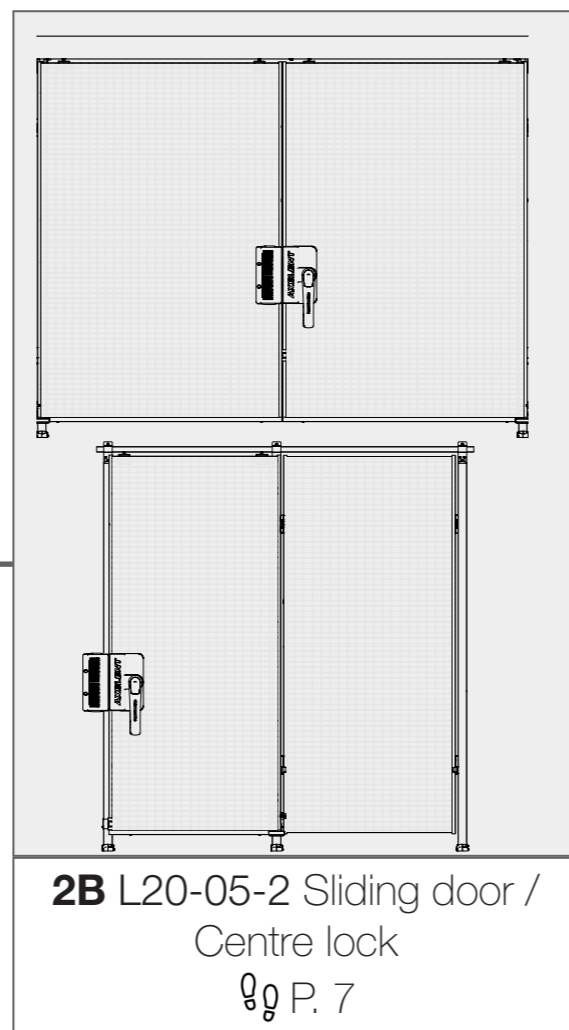
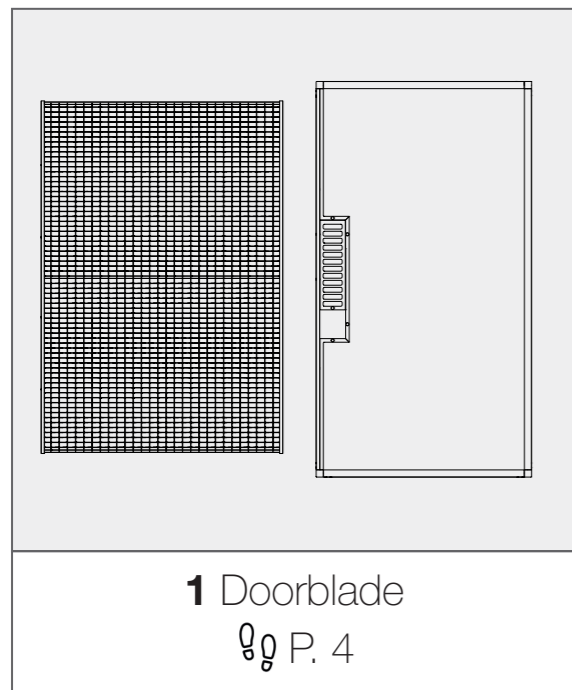


Spare part lists

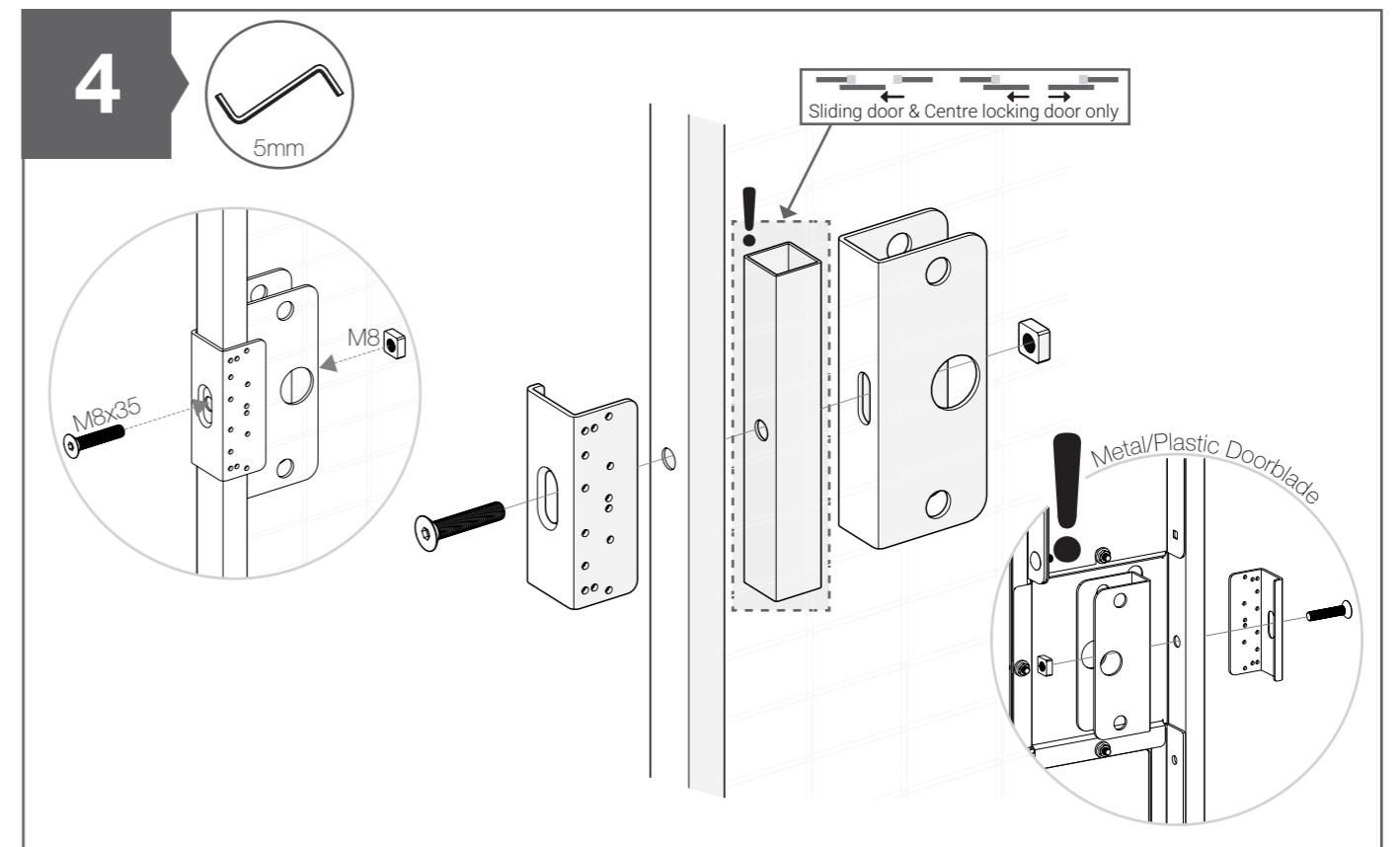
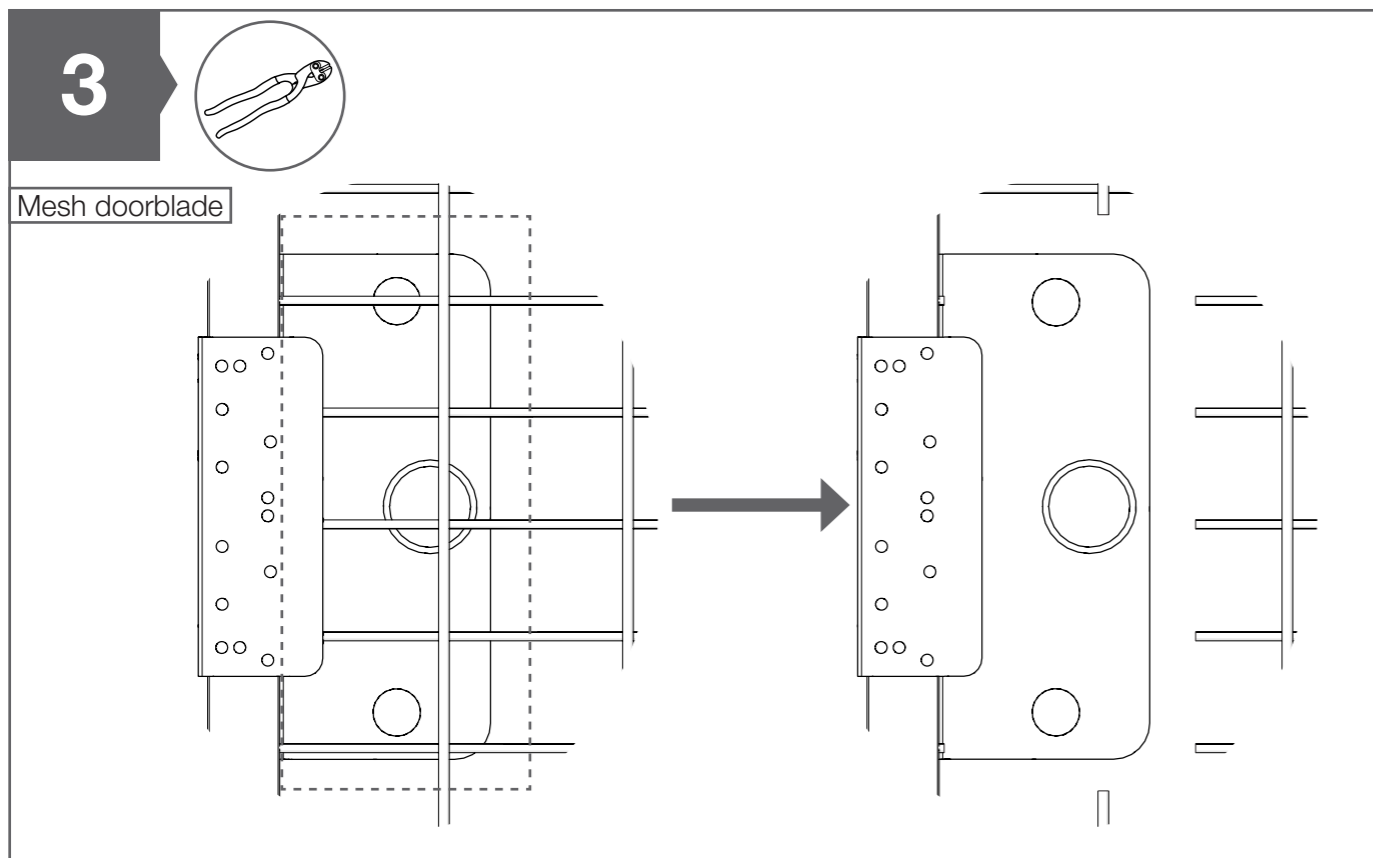
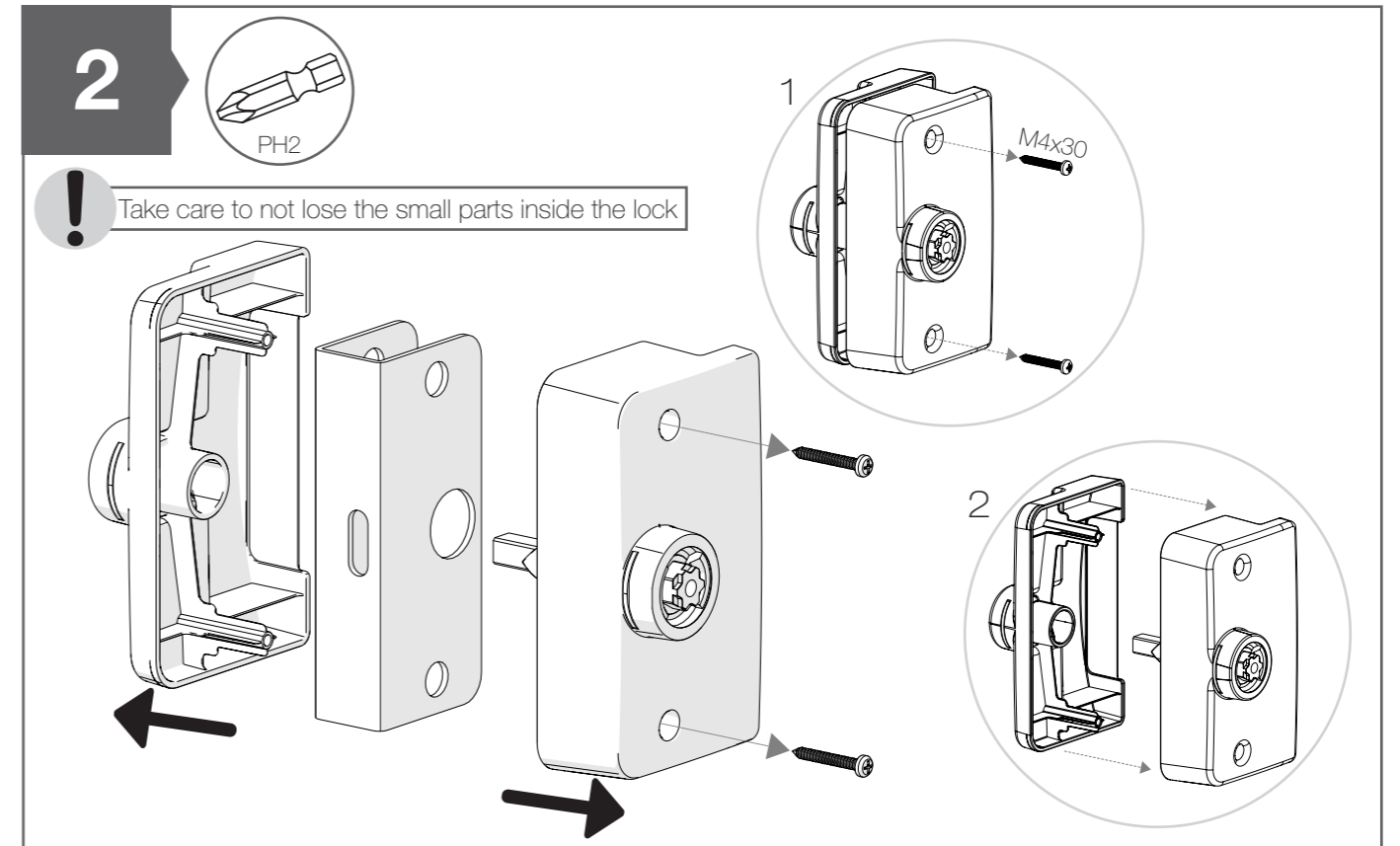
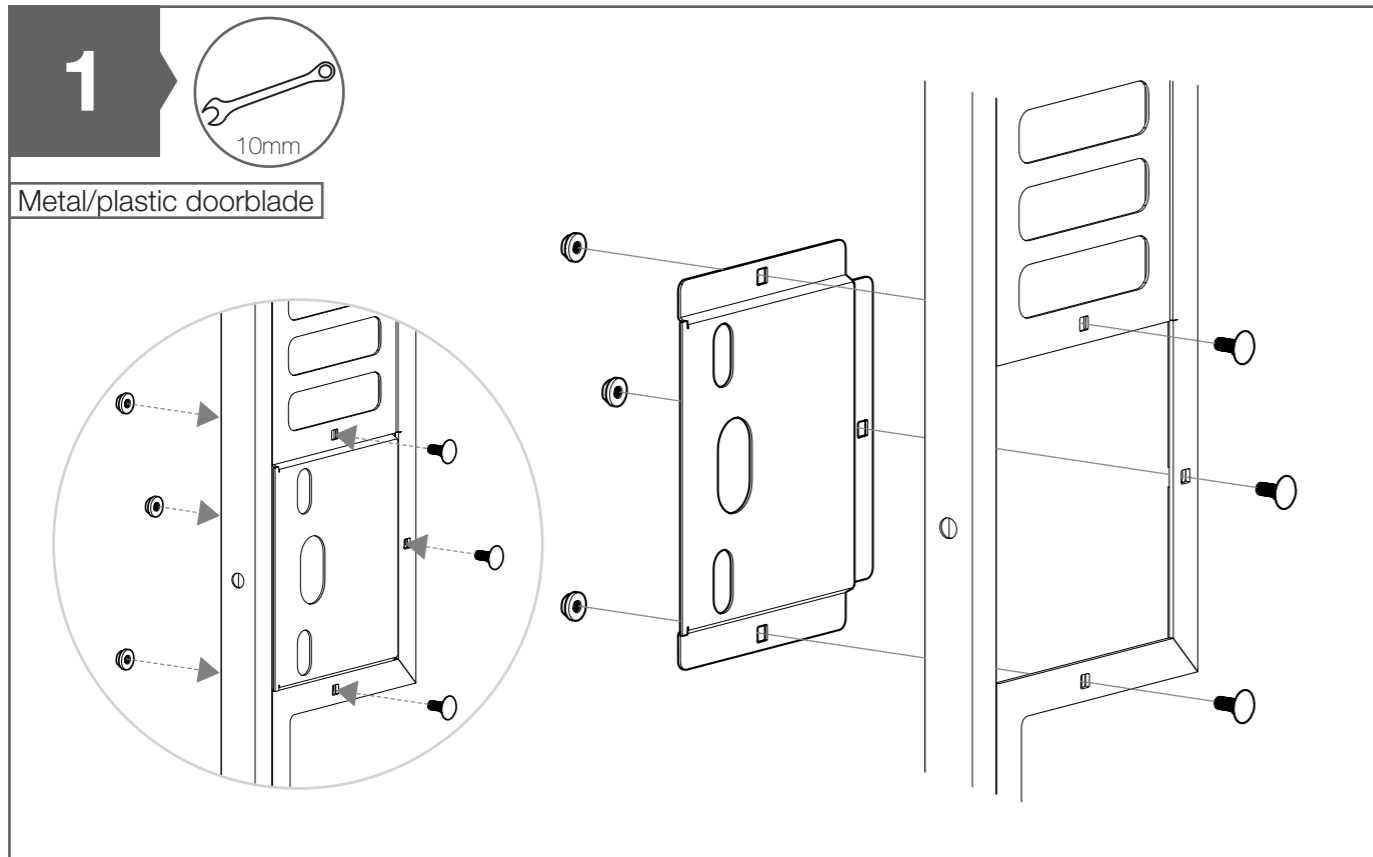
L10-05-2 → L10-05-2-PS

L20-05-2 → L20-05-2-PS





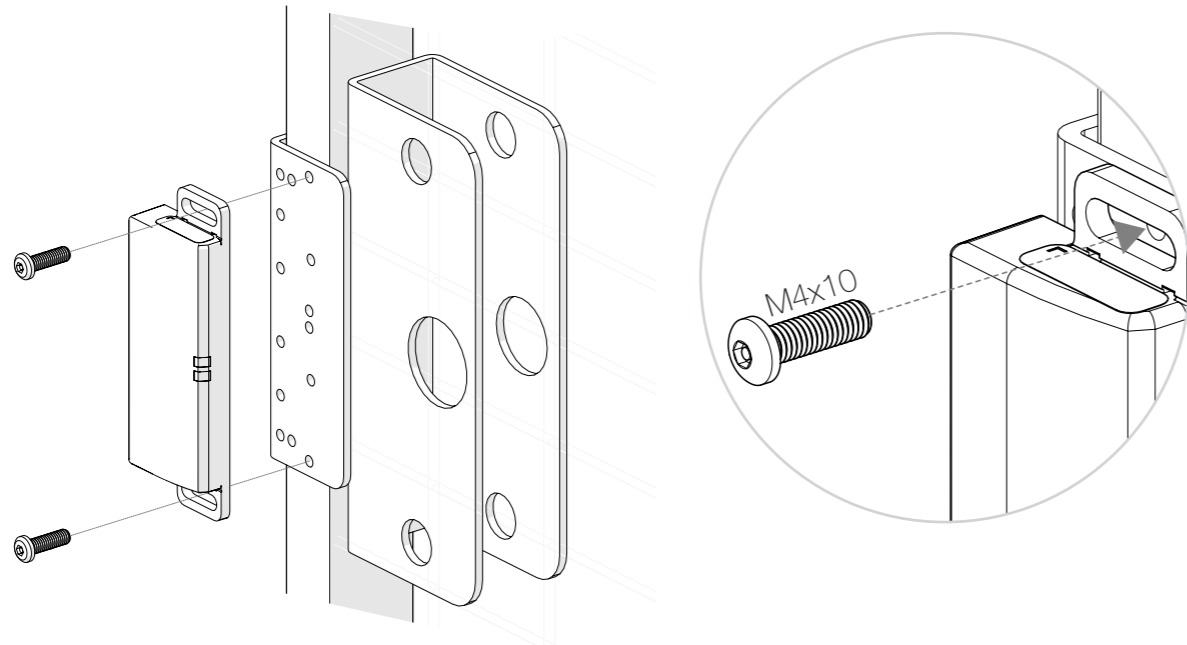
1 Doorblade



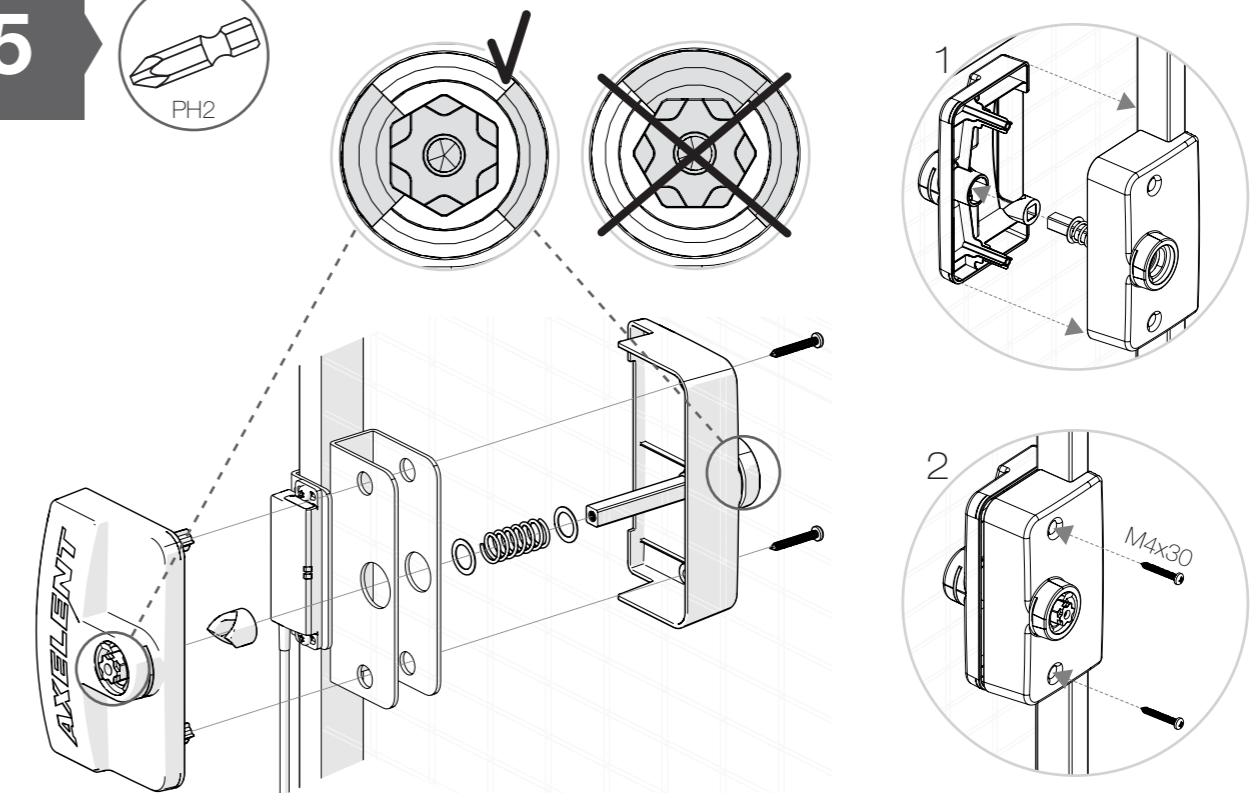
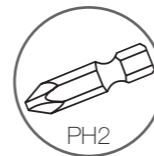


### Optional

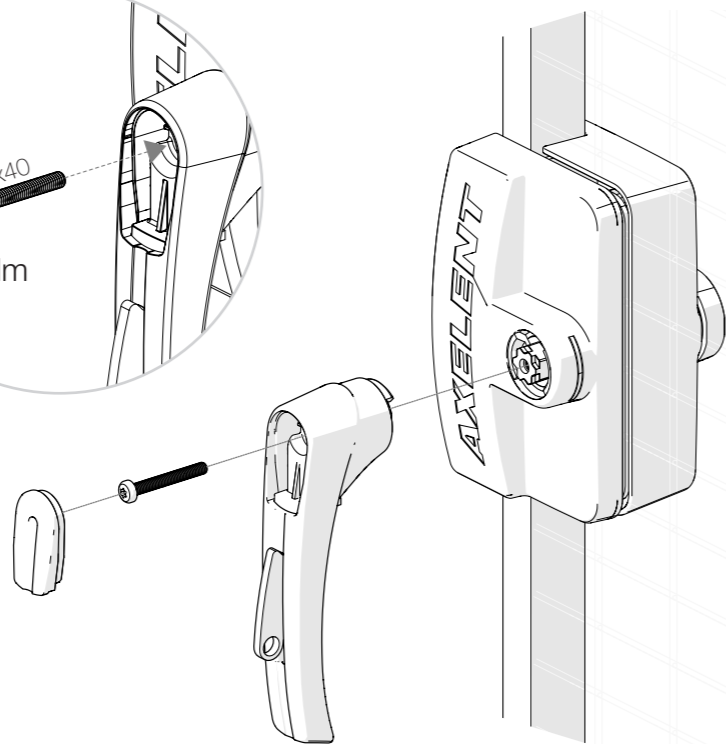
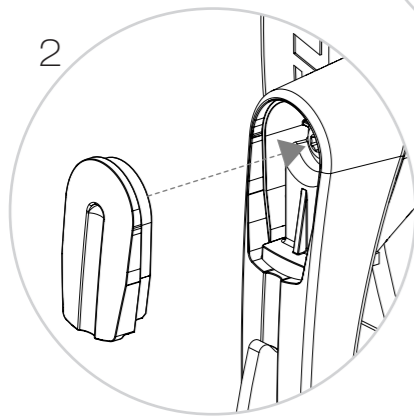
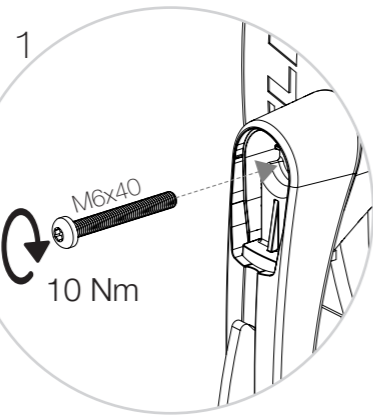
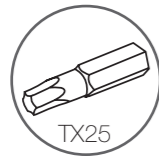
Example breaker switch: B-140 (Euchner CES-AR-CL2-CH-SA non-contact)



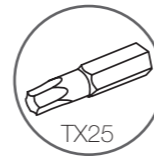
### 5



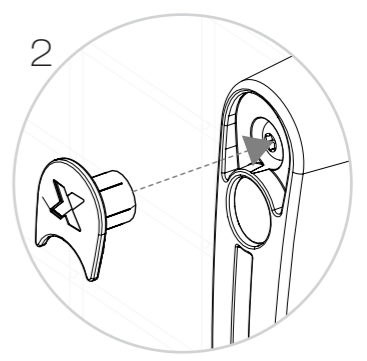
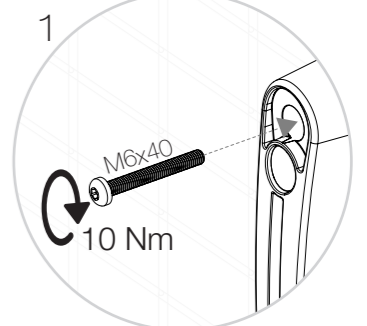
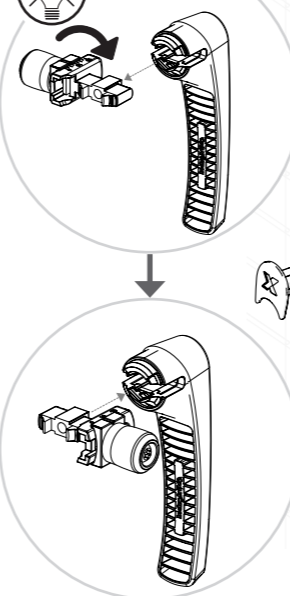
### 6

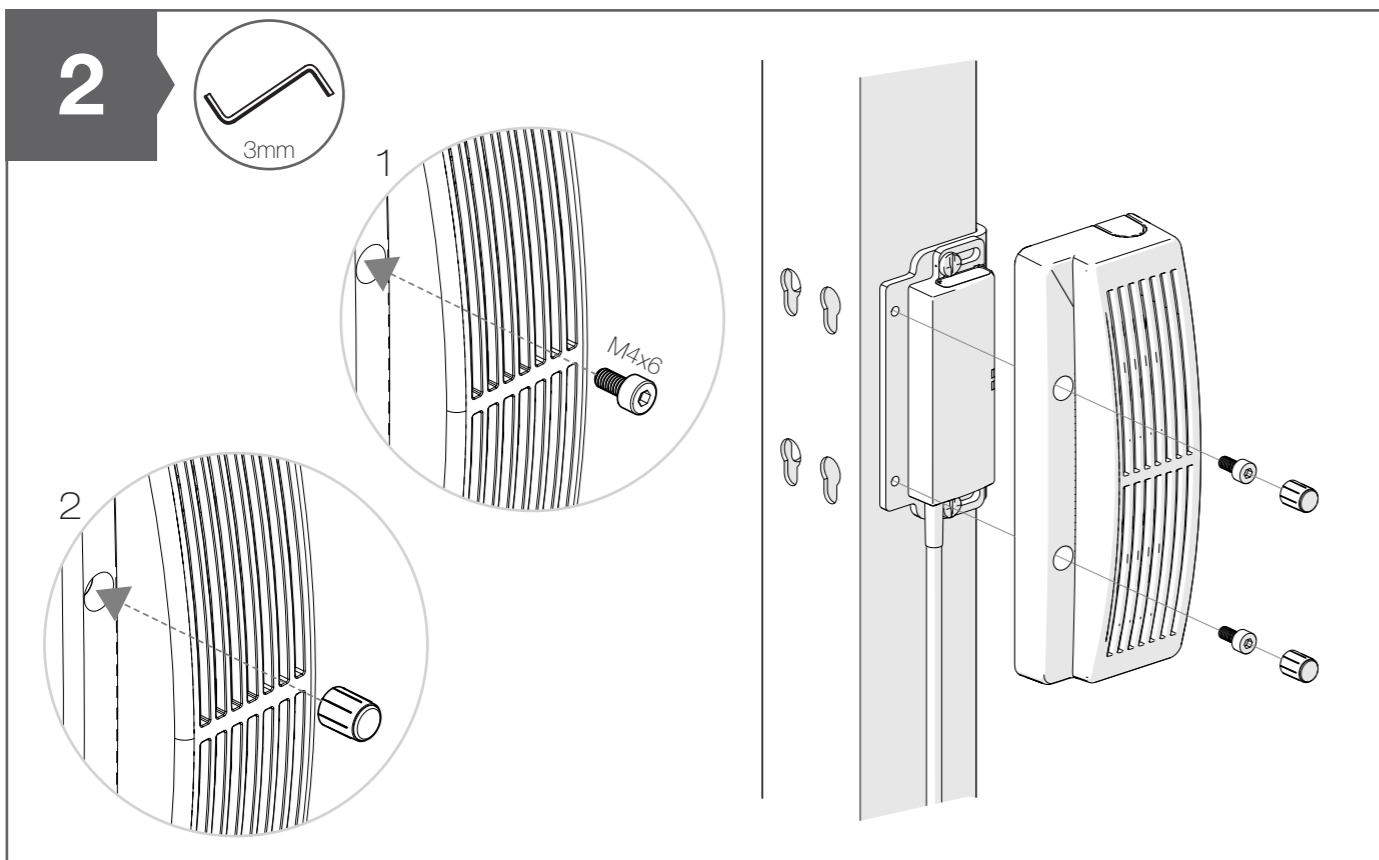
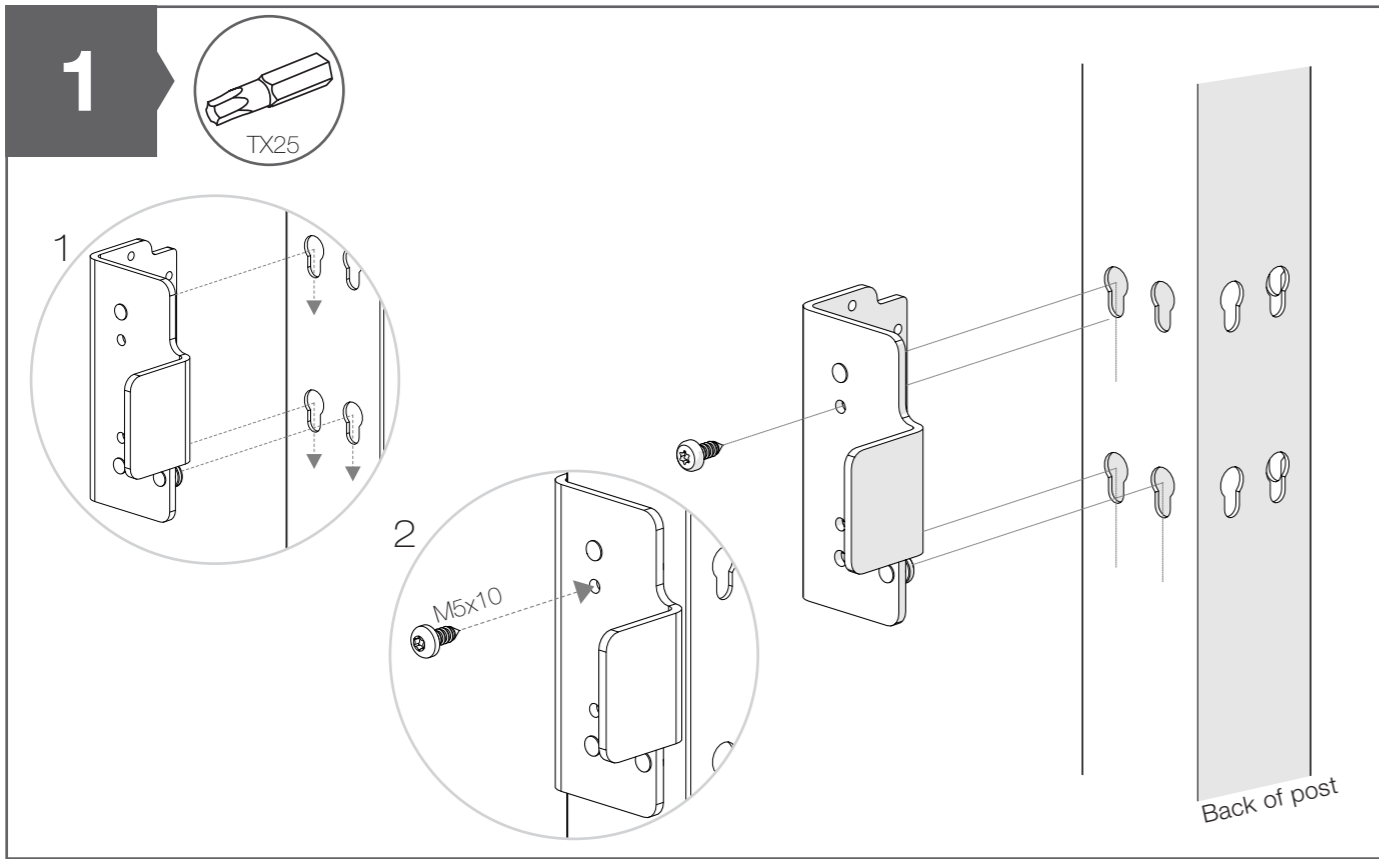


### 7



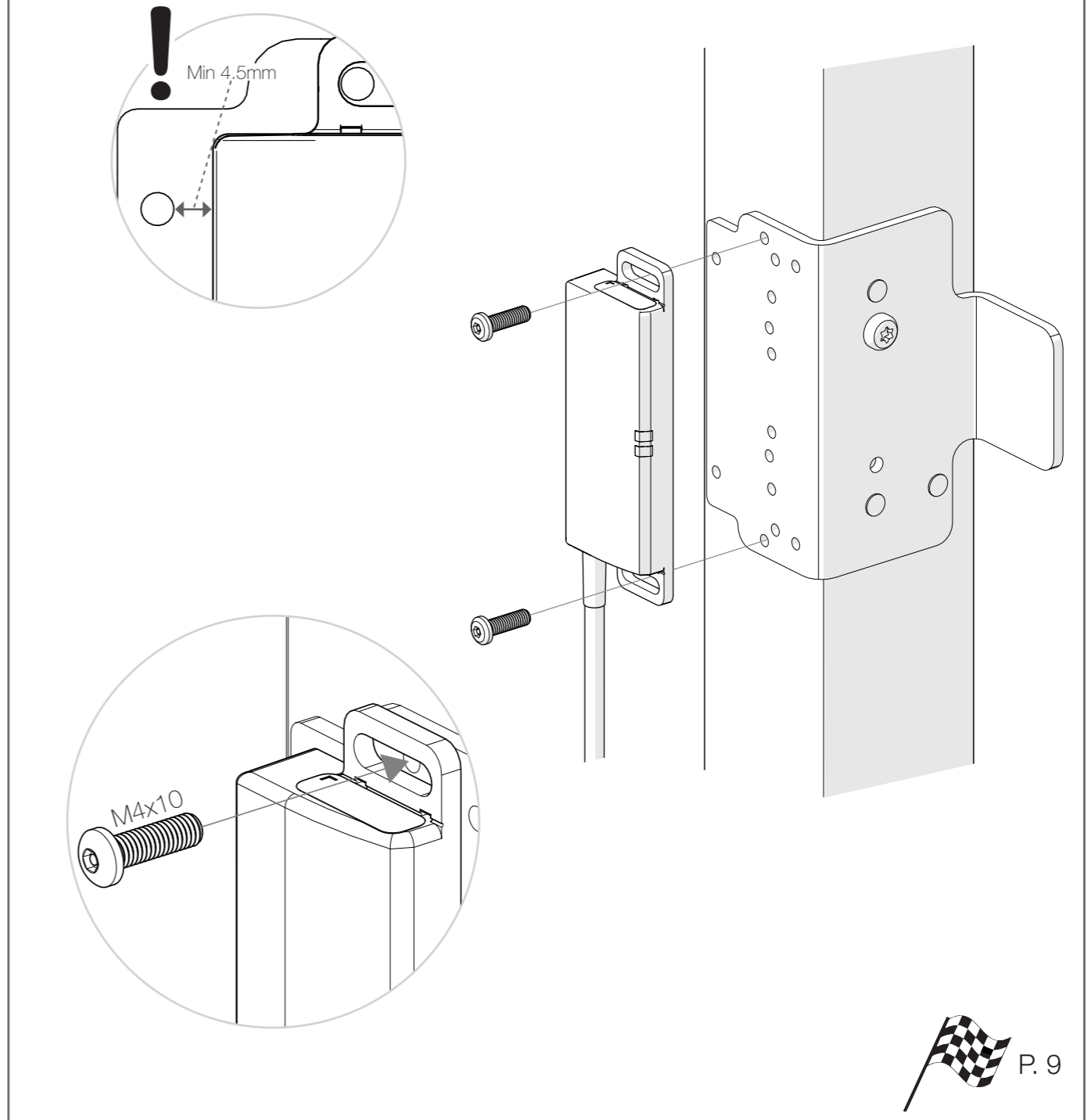
Left handed doors

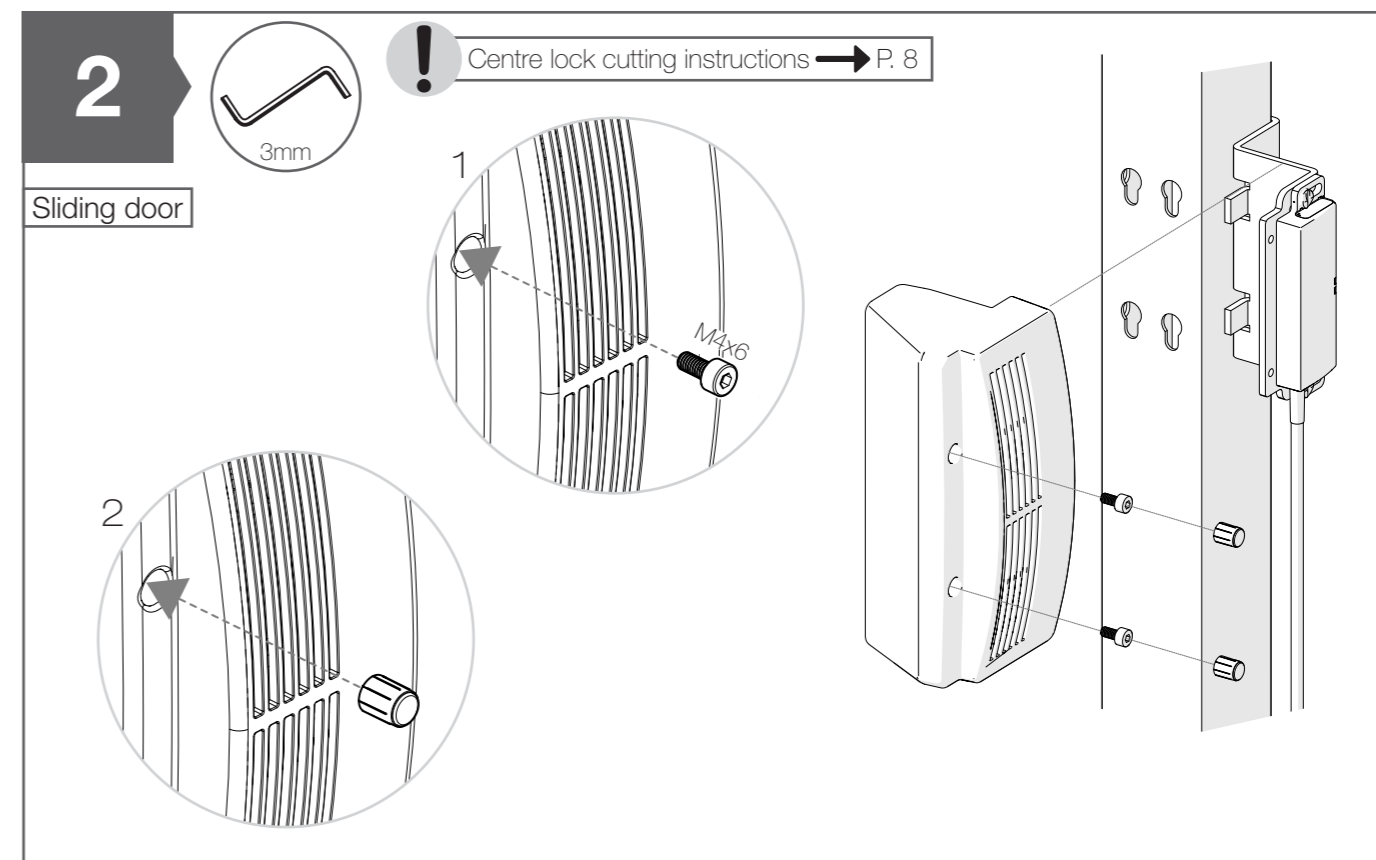
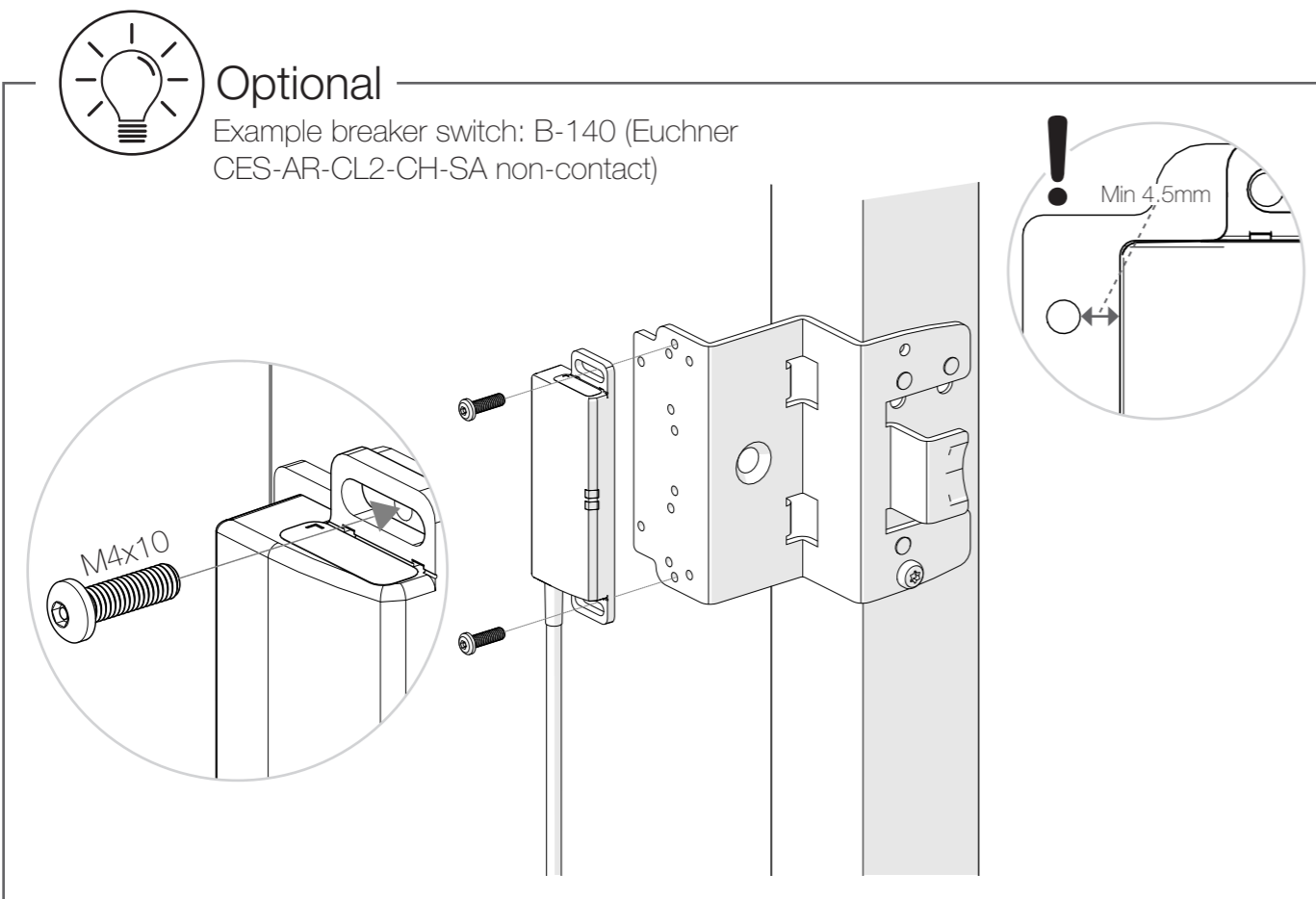
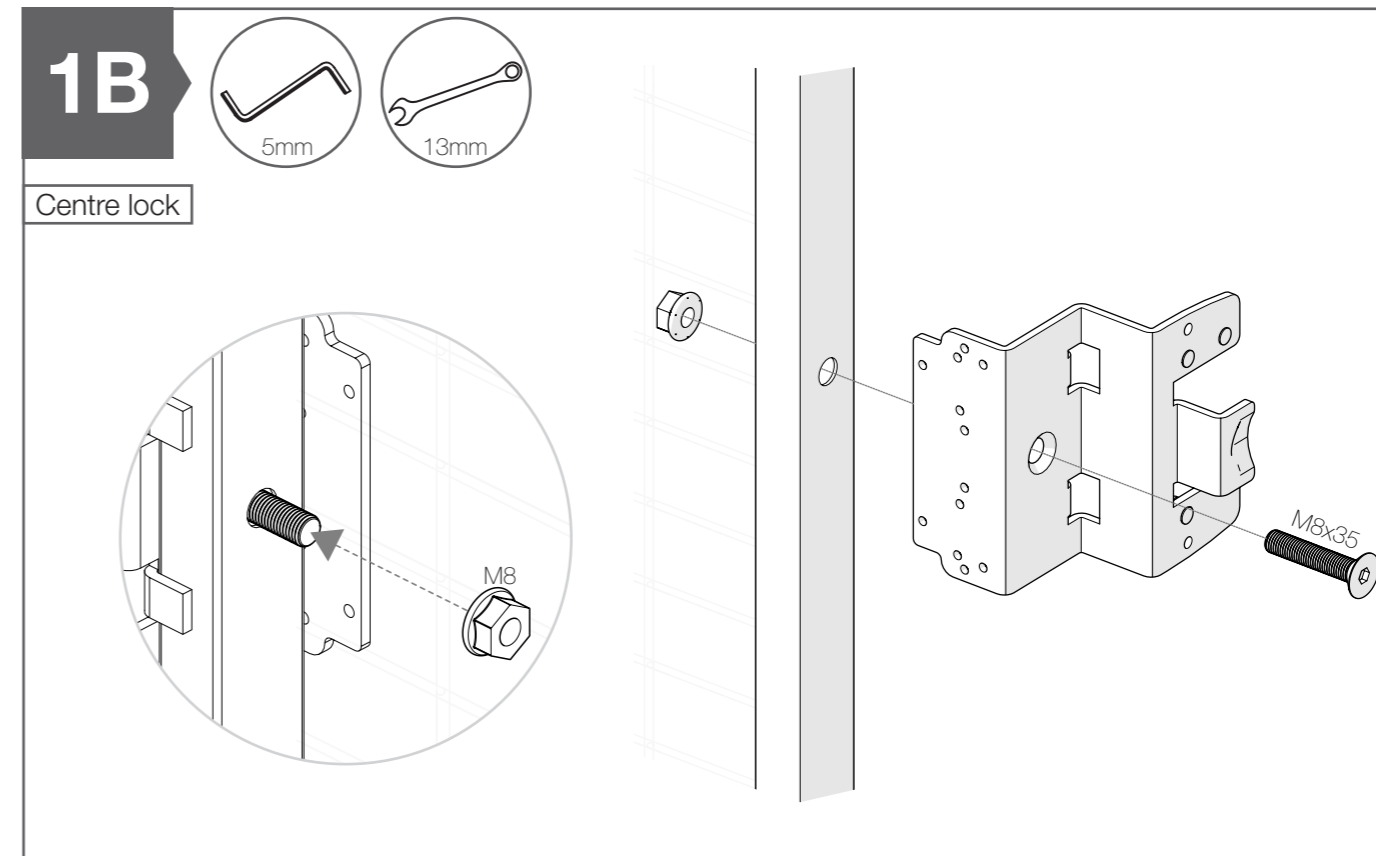
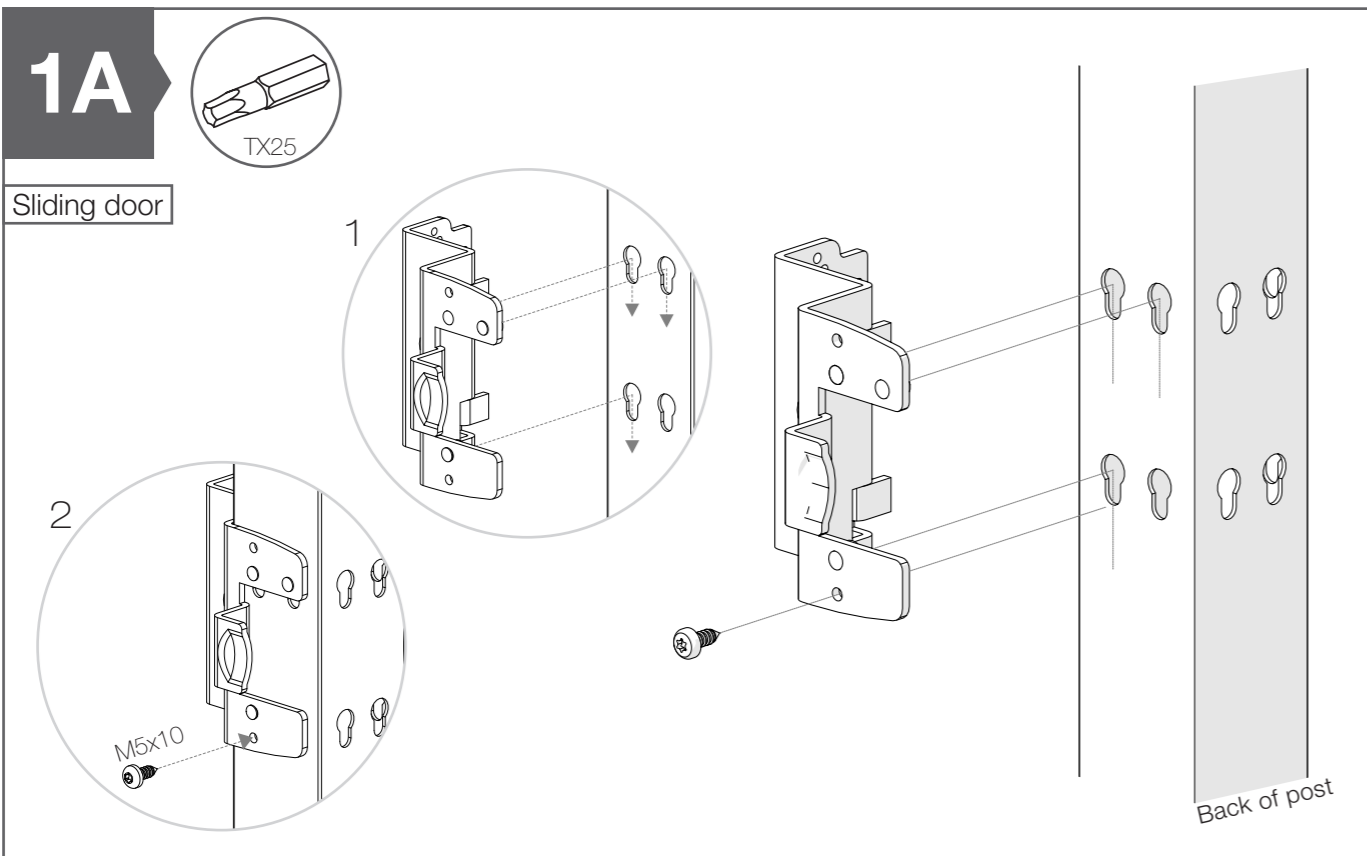


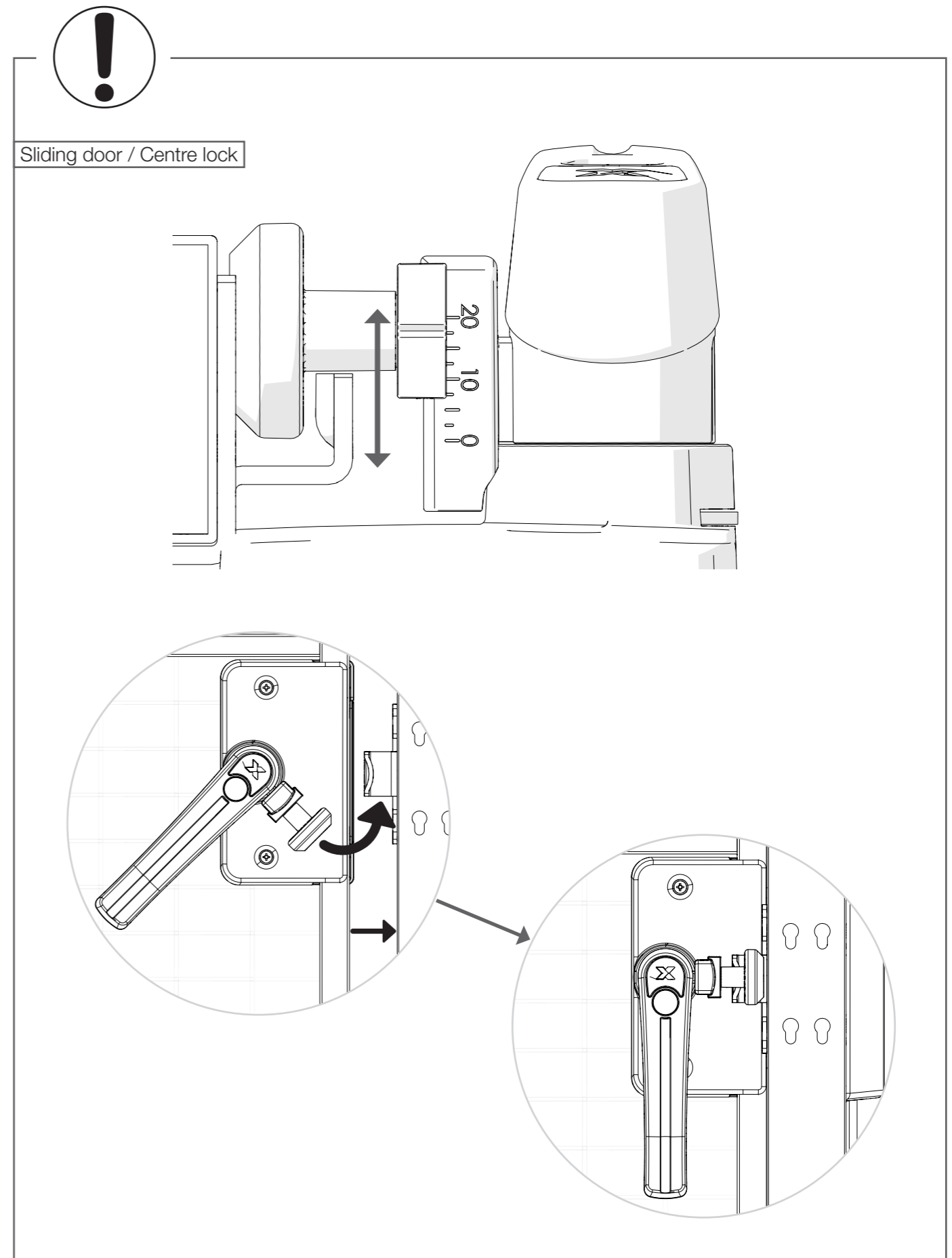
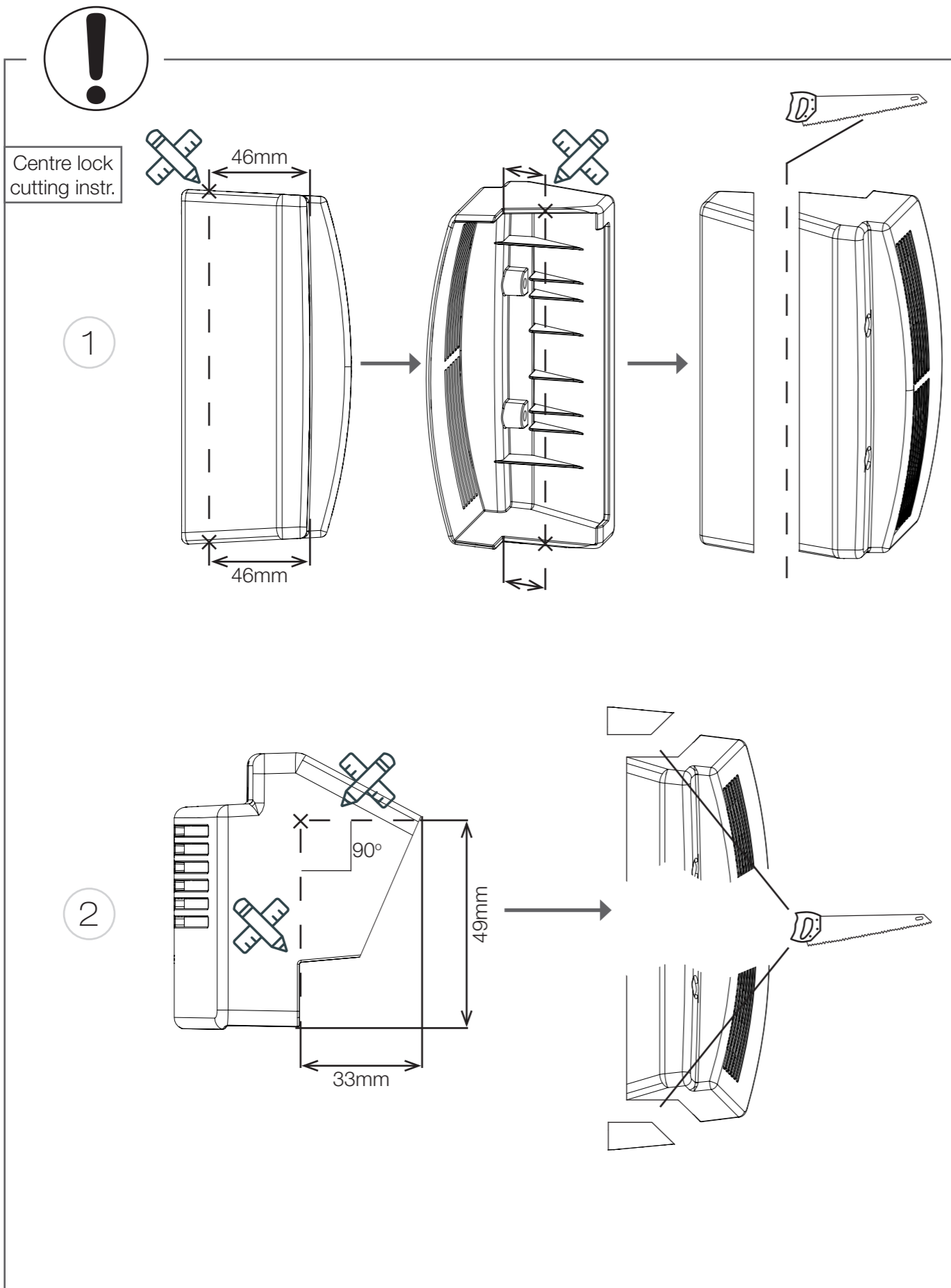


Optional

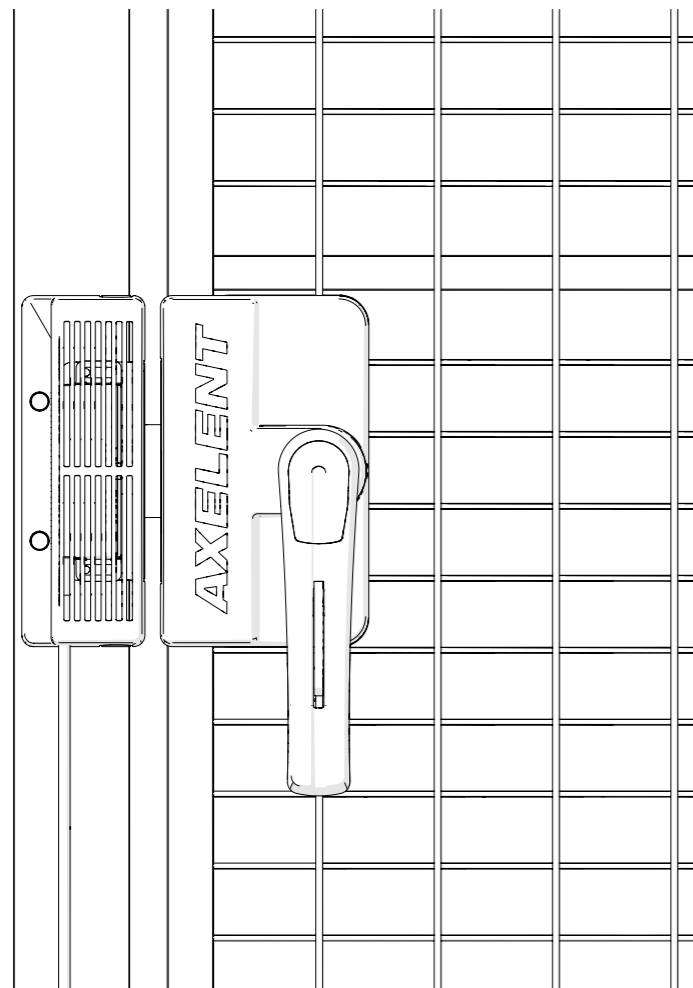
Example breaker switch: B-140 (Euchner CES-AR-CL2-CH-SA non-contact)



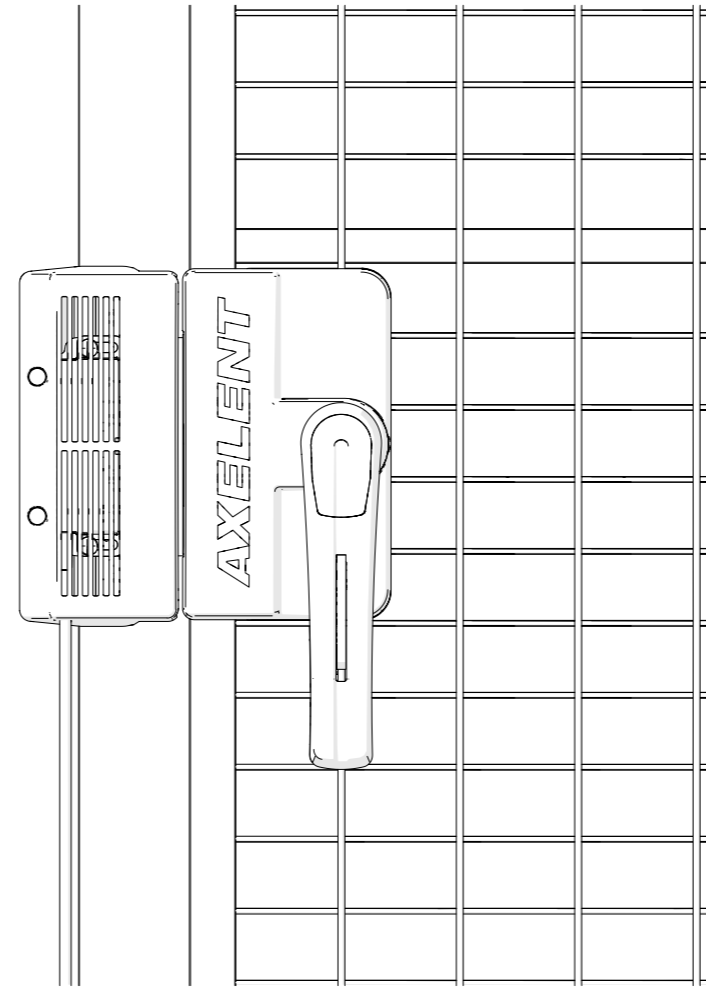




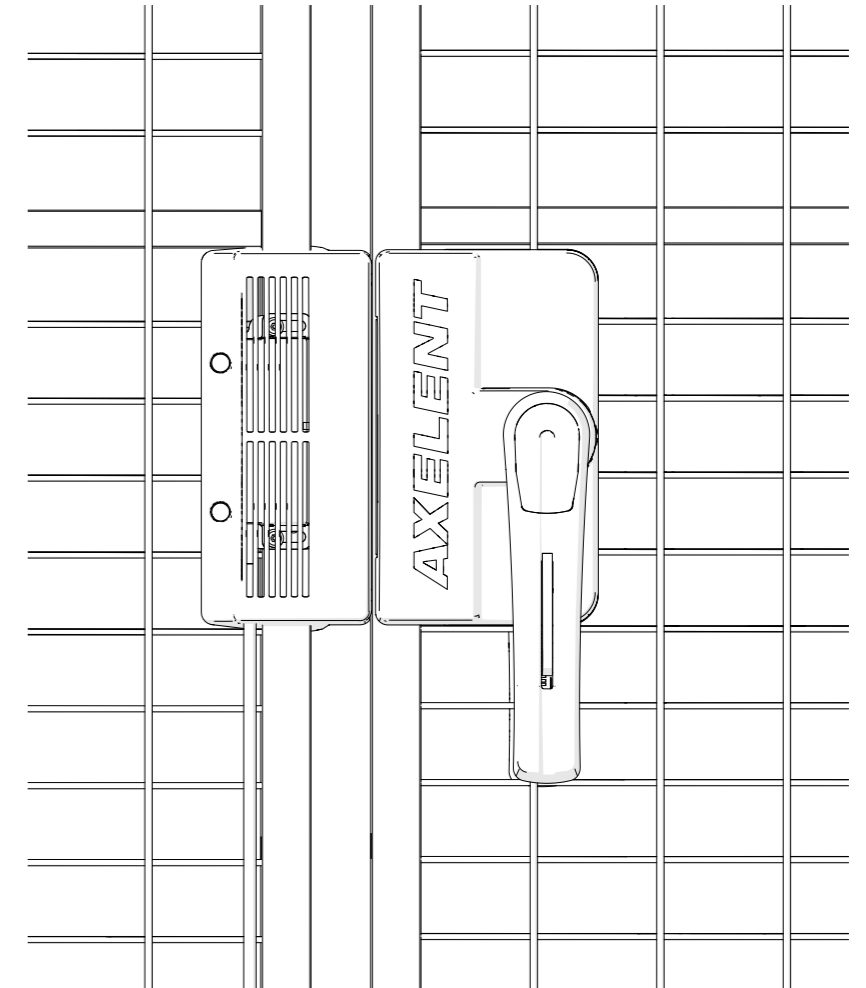




L10-05-2, Hinged door



L20-05-2, Sliding door



L20-05-2, Centre lock