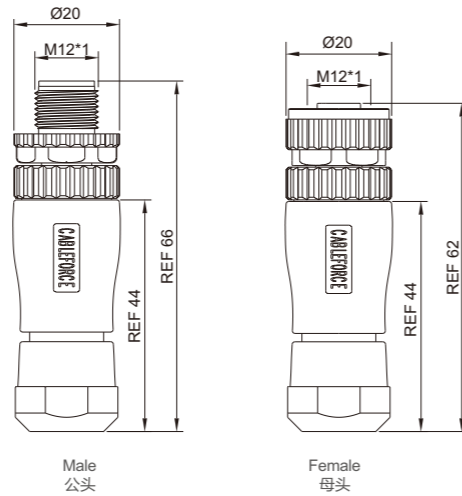


## M12 Male (Female) Connectors, Field Wire-able, Non-Shielded, Screw Termination

M12 公头(母头)、组装式、非屏蔽型、螺丝型接线端子



### Electrical, Mechanical, Material Data

- Standard: IEC 61076-2-101
- Connector: Male (Female), M12, Straight
- Insulation resistance:  $\geq 100M\Omega$
- Contacts resistance:  $\leq 5m\Omega$
- Ambient temperature:  $-25^{\circ}C \sim 80^{\circ}C, -40^{\circ}C \sim 125^{\circ}C$
- Wire termination: Screw Fixing
- Connector Shell: PA66+GF
- Contacts carrier: PA66+GF
- Contacts: Brass/ Phosphor bronze, Gold-plated
- Coupling nut/screw: Brass with Nickel Plated
- Seal: FKM/ Silicon O-Ring
- EMI Shielding: Non-Shielded
- Mechanical lifespan:  $\geq 200$  mating cycles
- IP rating: IP67/ IP68 in locked condition
- Cable Outlet: 4mm ~ 8mm

### Performance Material

- Resistant to chemicals and oils
- Resistant to microbes and hydrolysis
- Pollution degree: 3 (III)
- Flammability: UL94 V-0
- RoHS compliance

### 高性能材料

- 防化学腐蚀/油污
- 防粉尘、抗水解
- 污染等级: 3级
- 阻燃等级: UL94 V-0
- RoHS环保材料

### 电气、机械、材料参数

- 技术参照标准: IEC 61076-2-101
- 连接器类型: 公头(母头)、M12螺纹规 直头
- 绝缘阻抗:  $\geq 100$ 兆欧
- 接触电阻:  $\leq 5$ 毫欧
- 额定温度:  $-25^{\circ}C \sim 80^{\circ}C, -40^{\circ}C \sim 125^{\circ}C$
- 接线方式: 螺丝固定
- 外壳主体: 尼龙66+玻纤
- 连接器胶芯: 尼龙66+玻纤
- 连接器端子: 黄铜/ 磷青铜、镀金、实心车件
- 螺丝/螺母: 黄铜、镀镍、实心车件
- 密封材料: 氟橡胶/ 硅胶
- 屏蔽结构: 无
- 插拔寿命:  $\geq 200$ 次
- 防护等级: IP67/ IP68 (对插锁紧状态)
- 装配线径范围: 4mm ~ 8mm

Contacts No. Pin位/芯数		3Pin 3芯	4Pin 4芯	5Pin 5芯
Keyway Coding 接口 防呆 编码	Coding 接口类型	A-Coding	A-Coding	A-Coding
	Front View (Male) 公头正视图			
	Front View (Female) 母头正视图			
Current 额定电流		4A	4A	4A
Voltage 额定电压		250V	250V	60V
Reference Cabling 配线参考	Wire gauge 美规线号	18~24AWG	18~24AWG	18~24AWG
	Cross section 导线截面	0.75~0.25mm <sup>2</sup>	0.75~0.25mm <sup>2</sup>	0.75~0.25mm <sup>2</sup>

## Assembly Instruction

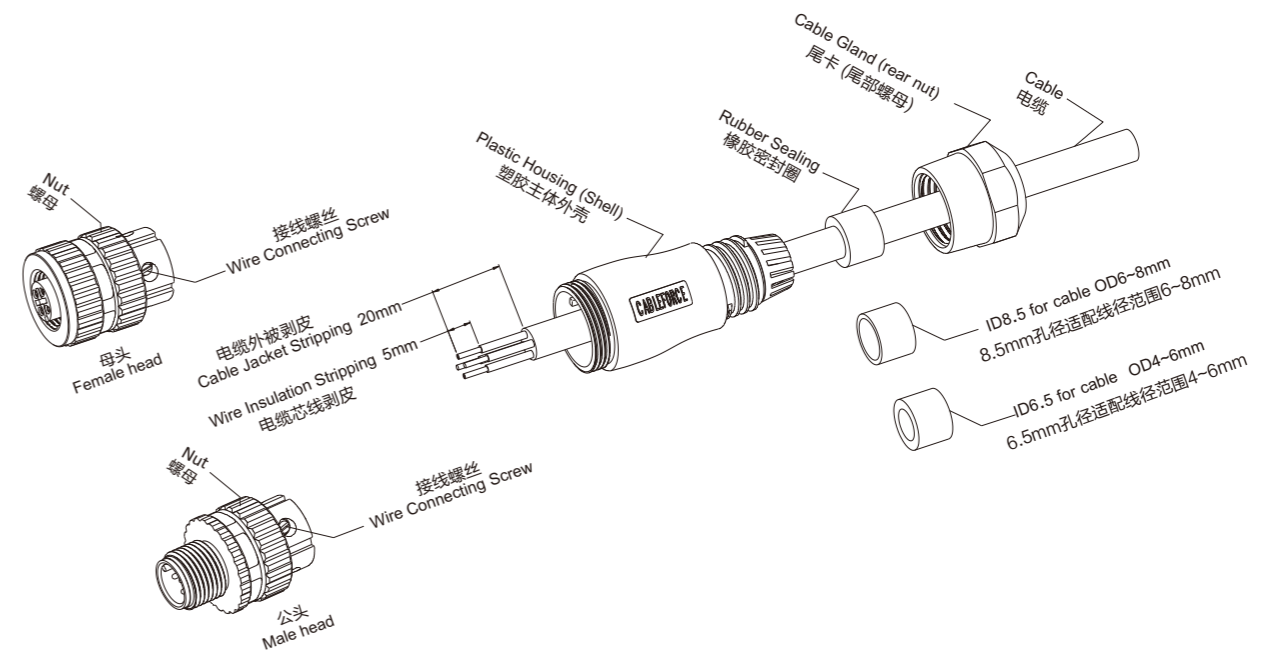
组装式安装说明

### Assembly Steps

- Bead the rear cable gland (rear nut), rubber sealing, housing (shell) to the cable;
- Stripping the cable jacket and the core insulations;
- Connecting the core wires to the screw connection holes and fixing it steadily;
- Insert the rubber sealing into the rear side of the housing;
- Assemble the rear cable gland (rear nut) tightly.

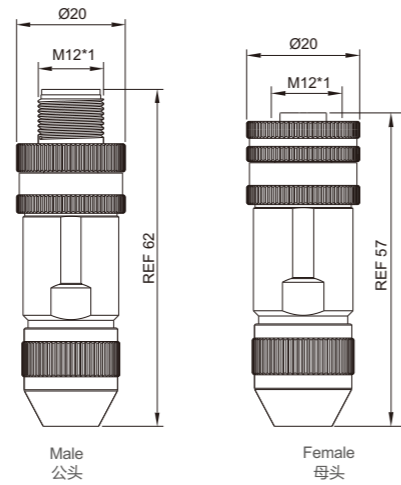
### 安装步骤

- 把连接器尾部尾卡(尾部螺母)、密封胶圈, 以及主体外壳依次串在电缆上;
- 剥去电缆外皮、剥去芯线绝缘层;
- 把剥皮后的芯线插入接线螺丝孔, 并拧紧固定好;
- 完成接线固定后, 把密封圈塞入塑胶主体尾端;
- 锁紧尾部尾卡(尾部螺母)。



## M12 Male (Female) Connectors, Field Wire-able, EMI-Shielded, Screw Termination

M12 公头(母头)、组装式、屏蔽型、螺丝型接线端子



### Electrical, Mechanical, Material Data

- Standard: IEC 61076-2-101
- Connector: Male (Female), M12, Straight
- Insulation resistance:  $\geq 100M\Omega$
- Contacts resistance:  $\leq 5m\Omega$
- Ambient temperature:  $-25^{\circ}C \sim 80^{\circ}C, -40^{\circ}C \sim 125^{\circ}C$
- Wire termination: Screw Fixing
- Connector Shell: Brass/ Zinc Die-cast
- Contacts carrier: PA66+GF
- Contacts: Brass, Gold-plated, Solid Pin
- Coupling nut/screw: Brass with Nickel Plated
- Seal: FKM/ Silicon O-Ring
- EMI Shielding: Shielded
- Mechanical life-span:  $\geq 200$  mating cycles
- IP rating: IP67/ IP68 in locked condition
- Cable Outlet: PG7 (4~6mm) or PG9 (6~8mm)

### Performance Material

- Resistant to chemicals and oils
- Resistant to microbes and hydrolysis
- Pollution degree: 3 (III)
- Flammability: UL94 V-0
- RoHS compliance

### 高性能材料

- 防化学腐蚀/油污
- 防粉尘、抗水解
- 污染等级：3级
- 阻燃等级：UL94 V-0
- RoHS环保材料

### 电气、机械、材料参数

- 技术参照标准: IEC 61076-2-101
- 连接器类型: 公头(母头)、M12螺纹规 直头
- 绝缘阻抗:  $\geq 100$ 兆欧
- 接触电阻:  $\leq 5$ 毫欧
- 额定温度:  $-25^{\circ}C \sim 80^{\circ}C, -40^{\circ}C \sim 125^{\circ}C$
- 接线方式: 螺丝固定
- 外壳主体: 金属车件或压铸件
- 连接器胶芯: 尼龙66+玻纤
- 连接器端子: 黄铜、镀金、实心车件
- 螺丝/螺母: 黄铜、镀镍、实心车件
- 密封材料: 氟橡胶/ 硅胶
- 屏蔽结构: 有
- 插拔寿命:  $\geq 200$ 次
- 防护等级: IP67/ IP68 (对插锁紧状态)
- 装配线径范围: PG7 (4~6mm) or PG9 (6~8mm)

Contacts No. Pin位/芯数		4Pin 4芯	5Pin 5芯	5Pin 5芯
Keyway Coding 接口防呆编码	Coding 接口类型	D-Coding	A-Coding	B-Coding
	Front View (Male) 公头正视图			
	Front View (Female) 母头正视图			
Current 额定电流		1~4A	4A	4A
Voltage 额定电压		250V	60V	60V
Reference Cabling 配线参考	Wire gauge 美规线号	22~26AWG	18~24AWG	18~24AWG
	Cross section 导线截面	0.34~0.14mm <sup>2</sup>	0.75~0.25mm <sup>2</sup>	0.75~0.25mm <sup>2</sup>

## Assembly Instruction

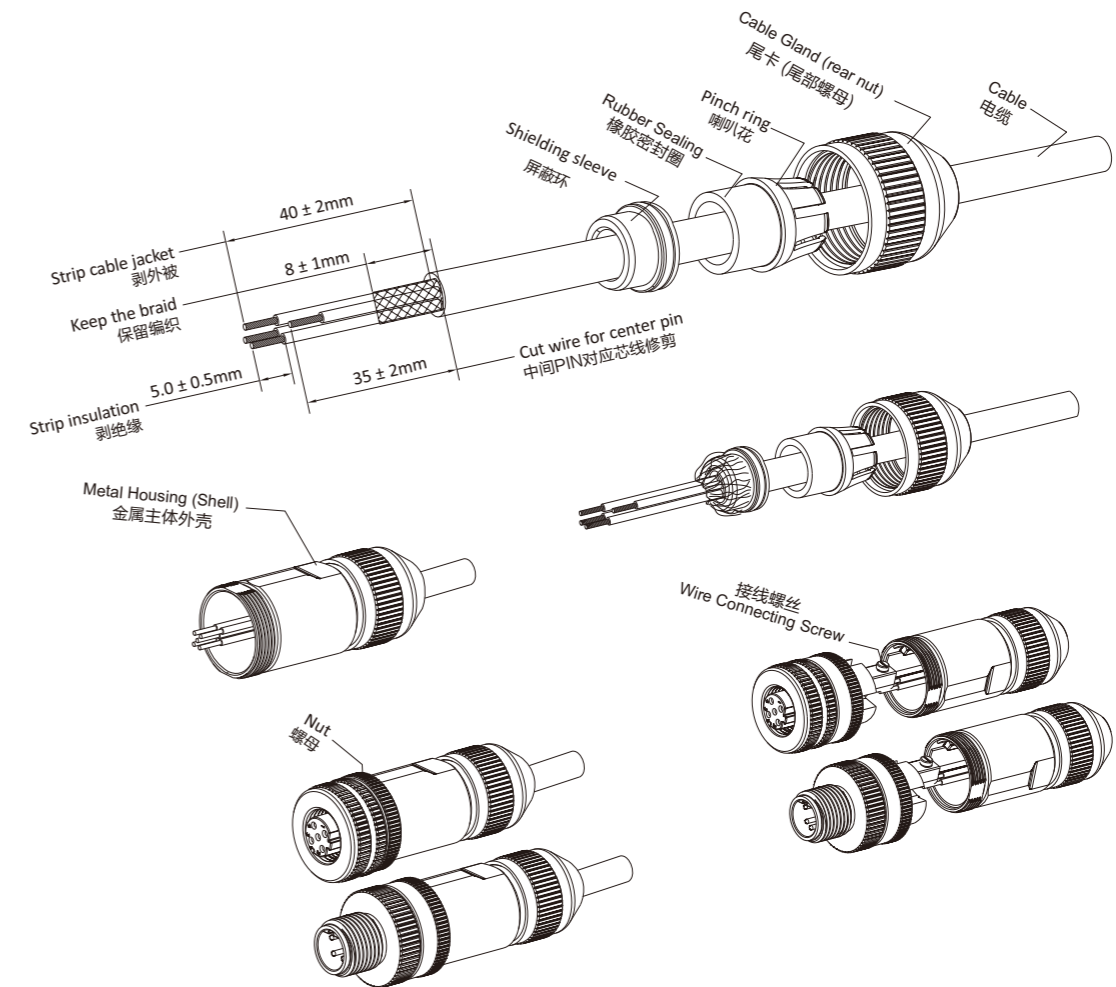
组装式安装说明

### Assembly Steps

1. Bead the rear cable gland (rear nut), sealing components, shielding sleeve and the housing to the cable;
2. Stripping the cable jacket and the core insulations, shorten the shielding braid, revert to the cable jacket and wrap it with copper tape;
3. Insert and push the shielding sleeve, sealing, pinch ring into the inner housing;
4. Connecting the core wires to the screw connection holes and fixing it steadily;
5. Screwing and assemble the Female/male head to the body housing.

### 安装步骤

1. 把尾卡(尾部螺母)、喇叭花、橡胶密封圈、屏蔽环, 以及主体外壳依次串在电缆上;
2. 剥去电缆外皮、剥去芯线绝缘层, 剪短屏蔽层并将屏蔽层翻包在电缆护套上, 然后用铜箔缠住;
3. 将屏蔽环推入主体, 并将胶环和喇叭花往前推至屏蔽环, 接着拧紧尾卡(尾部螺母);
4. 把剥皮后的芯线插入接线螺丝孔, 并拧紧固定好;
5. 将前端螺母拧入主体。

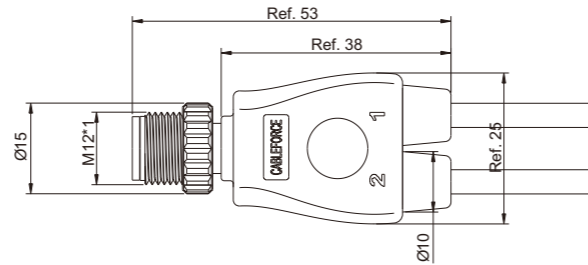


# M12 Y-Splitter, Molded Cable, 4/ 5/ 8 pin

www.cableforce.cn

M12 Male, Y-Splitter Connector, Anti-Vibration Locking, Pre-Molded with Cable, Free End.

M12 公头、Y型分接头、成型带线、防振松设计



## Electrical, Mechanical, Material Data

- Standard: IEC 61076-2-101
- Connector: Male, M12, Y-Splitter
- Insulation resistance:  $\geq 100M\Omega$
- Contacts resistance:  $\leq 5m\Omega$
- Ambient temperature:  $-25^{\circ}C \sim 80^{\circ}C, -40^{\circ}C \sim 125^{\circ}C$
- Wire termination: Soldering
- Over-molding: TPU
- Contacts carrier: TPU+GF
- Contacts: Brass, Gold-plated, Solid Pin
- Coupling nut/screw: Brass with Nickel Plated
- Seal: FKM/ Silicon O-Ring
- Cable jacket material: PUR/ PVC/ LSZH as option
- Core insulation: PVC/ SR-PVC/ PE/ PP as option
- Bending radius: Flexible use  $\geq 10 \times \varnothing$
- EMI Shielding: Available as option
- Mechanical lifespan:  $\geq 200$  mating cycles
- IP rating: IP67/ IP68 in locked condition
- Locking Design: Anti-Vibration

## 电气、机械、材料参数

- 技术参照标准: IEC 61076-2-101
- 连接器类型: 公头、M12、Y型头带线
- 绝缘阻抗:  $\geq 100$ 兆欧
- 接触电阻:  $\leq 5$ 毫欧
- 额定温度:  $-25^{\circ}C \sim 80^{\circ}C, -40^{\circ}C \sim 125^{\circ}C$
- 芯线接线方式: 焊接型
- 连接器外模: TPU
- 连接器胶芯: TPU+GF
- 连接器端子: 黄铜、镀金、实心车件
- 螺丝/螺母: 黄铜、镀镍、实心车件
- 密封材料: 氟橡胶/ 硅胶
- 电缆外被: PUR/ PVC/ 低烟无卤
- 芯线绝缘: PVC/ SR-PVC/ PE/ PP
- 弯曲半径:  $\geq 10 \times \varnothing$
- 屏蔽结构: 屏蔽可选
- 插拔寿命:  $\geq 200$ 次
- 防护等级: IP67/ IP68 (对插锁紧状态)
- 紧固设计: 防机械振松

## Performance Material

- Resistant to chemicals and oils
- Resistant to microbes and hydrolysis
- Pollution degree : 3 (III)
- RoHS compliance

## 高性能材料

- 防化学腐蚀/油污
- 防粉尘、抗水解
- 污染等级: 3级
- RoHS环保材料

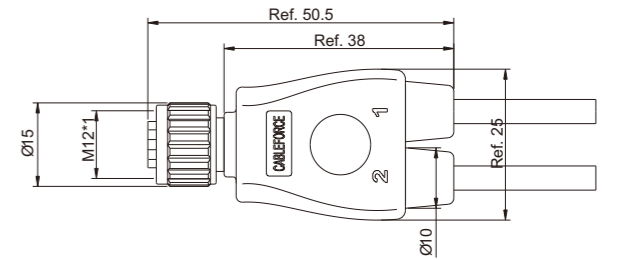
Contacts No. Pin位/芯数		4Pin 4芯	5Pin 5芯	8Pin 8芯
Keyway Coding 接口 防呆 编码	Coding 接口类型	A-Coding	A-Coding	A-Coding
	Front View 正视图			
Current 额定电流		4A	4A	2A
Voltage 额定电压		250V	60V	30V
Reference Cabling 配线参考	Wire gauge 美规线号	22AWG	22AWG	24AWG
	Cross section 导线截面	0.34mm <sup>2</sup>	0.34mm <sup>2</sup>	0.25mm <sup>2</sup>
	接线线序 Wiring list	1.BN 棕 2.WH 白 3.BU 蓝 4.BK 黑	1.BN 棕 2.WH 白 3.BU 蓝 4.BK 黑 5.GY 灰	1.WH 白 2.BN 棕 3.GN 绿 4.YE 黄 5.GY 灰 6.PK 粉 7.BU 蓝 8.RD 红
	Wire Color 芯线颜色			

# M12 Y-Splitter, Molded Cable, 4/ 5/ 8 pin

CableForce®

M12 Female, Y-Splitter Connector, Anti-Vibration Locking, Pre-Molded with Cable, Free End.

M12 母头、Y型分接头、成型带线、防振松设计



## Electrical, Mechanical, Material Data

- Standard: IEC 61076-2-101
- Connector: Female, M12, Y-Splitter
- Insulation resistance:  $\geq 100M\Omega$
- Contacts resistance:  $\leq 5m\Omega$
- Ambient temperature:  $-25^{\circ}C \sim 80^{\circ}C, -40^{\circ}C \sim 125^{\circ}C$
- Wire termination: Soldering
- Over-molding: TPU
- Contacts carrier: TPU+GF
- Contacts: Phosphor bronze, Gold-plated, Solid Pin
- Coupling nut/screw: Brass with Nickel Plated
- Seal: FKM/ Silicon O-Ring
- Cable jacket material: PUR/ PVC/ LSZH as option
- Core insulation: PVC/ SR-PVC/ PE/ PP as option
- Bending radius: Flexible use  $\geq 10 \times \varnothing$
- EMI Shielding: Available as option
- Mechanical lifespan:  $\geq 200$  mating cycles
- IP rating: IP67/ IP68 in locked condition
- Locking Design: Anti-Vibration

## 电气、机械、材料参数

- 技术参照标准: IEC 61076-2-101
- 连接器类型: 母头、M12、Y型头带线
- 绝缘阻抗:  $\geq 100$ 兆欧
- 接触电阻:  $\leq 5$ 毫欧
- 额定温度:  $-25^{\circ}C \sim 80^{\circ}C, -40^{\circ}C \sim 125^{\circ}C$
- 芯线接线方式: 焊接型
- 连接器外模: TPU
- 连接器胶芯: TPU+GF
- 连接器端子: 磷青铜、镀金、实心车件
- 螺丝/螺母: 黄铜、镀镍、实心车件
- 密封材料: 氟橡胶/ 硅胶
- 电缆外被: PUR/ PVC/ 低烟无卤
- 芯线绝缘: PVC/ SR-PVC/ PE/ PP
- 弯曲半径:  $\geq 10 \times \varnothing$
- 屏蔽结构: 屏蔽可选
- 插拔寿命:  $\geq 200$ 次
- 防护等级: IP67/ IP68 (对插锁紧状态)
- 紧固设计: 防机械振松

## Performance Material

- Resistant to chemicals and oils
- Resistant to microbes and hydrolysis
- Pollution degree : 3 (III)
- RoHS compliance

## 高性能材料

- 防化学腐蚀/油污
- 防粉尘、抗水解
- 污染等级: 3级
- RoHS环保材料

Contacts No. Pin位/芯数		4Pin 4芯	5Pin 5芯	8Pin 8芯
Keyway Coding 接口 防呆 编码	Coding 接口类型	A-Coding	A-Coding	A-Coding
	Front View 正视图			
Current 额定电流		4A	4A	2A
Voltage 额定电压		250V	60V	30V
Reference Cabling 配线参考	Wire gauge 美规线号	22AWG	22AWG	24AWG
	Cross section 导线截面	0.34mm <sup>2</sup>	0.34mm <sup>2</sup>	0.25mm <sup>2</sup>
	接线线序 Wiring list	1.BN 棕 2.WH 白 3.BU 蓝 4.BK 黑	1.BN 棕 2.WH 白 3.BU 蓝 4.BK 黑 5.GY 灰	1.WH 白 2.BN 棕 3.GN 绿 4.YE 黄 5.GY 灰 6.PK 粉 7.BU 蓝 8.RD 红
	Wire Color 芯线颜色			