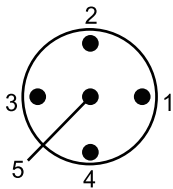


Technical Data:

Supply voltage	10-30VDC
Ripple voltage	≤10%
No-load current	≤150mA
Power	1.5W
Analog output	4...20mA, 0...5V or 0...10V
Switch output	NPN/PNP
Light source	655nm laser source
Protection circuit	Reverse polarity protection, short circuit protection, Overload protection
Response time	1.5ms / 5ms / 10ms switchable
Repeatability	0.05mm(at 35...70mm); 0.5mm(at 150...400mm); 1mm(at 400...600mm); 3mm(at 600...800mm)
Spot diameter	1mm@150mm; 2mm@600mm
Housing material	Stainless steel
Ambient temperature	-10 C-45 C
Voltage resistance	1000V/AC 50/60Hz 60s
Insulation impedance	≥50MΩ (500VDC)
Shock resistance	Complex amplitude 1.5mm 10... 50Hz (2hr X, Y,Z respectively)
Impact resistance	500m/S ² (50G) 3 times X,Y,Z respectively
Connection	M12 5-pin connector
Protection class	IP67
Dimensions	60.4*20*35.5mm

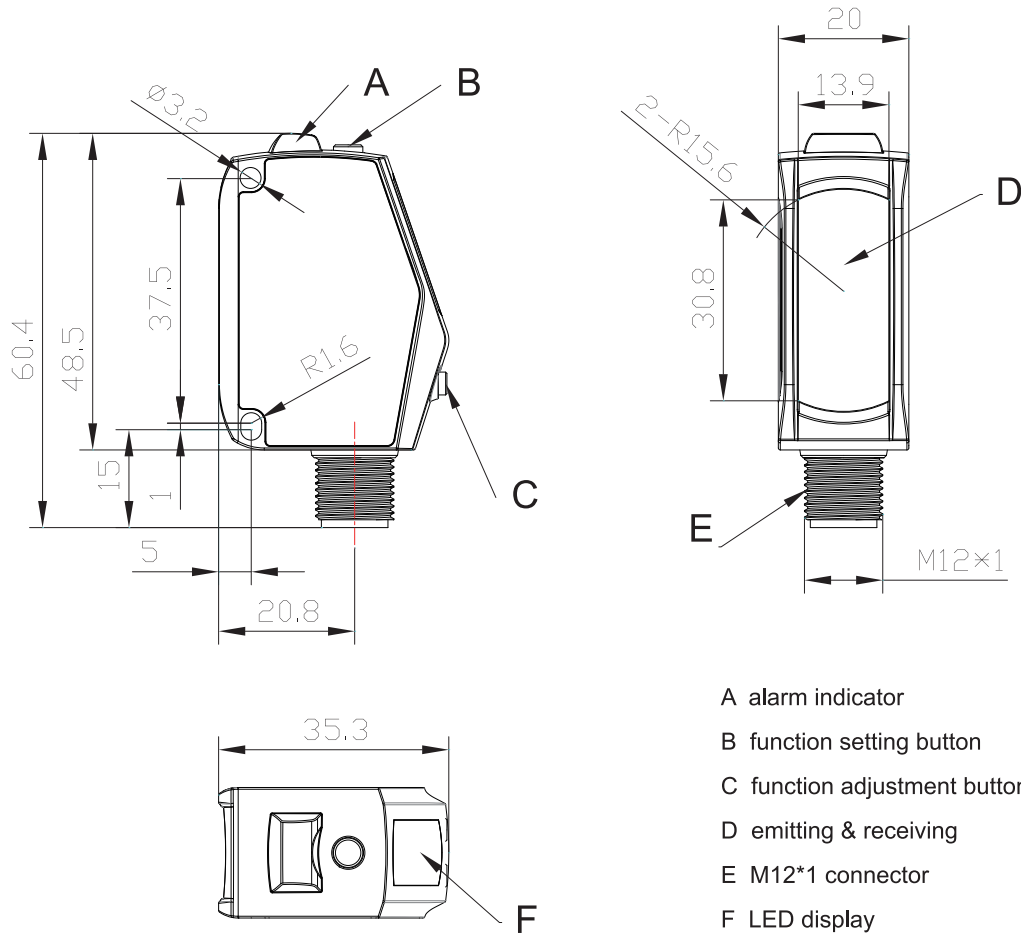


Interface output:



Serial number	Wire color	Function
1	brown	10...30VDC
2	white	Q _A ANALOG OUTPUT(I/U)
3	blue	0V
4	black	PNP/NPN
5	grey	N/A

Dimensions:



- A alarm indicator
- B function setting button
- C function adjustment button
- D emitting & receiving
- E M12*1 connector
- F LED display

Description:

Laser displacement sensor, 655nm laser source, metal housing, LED display and button settings, rich interface. Suitable for pharmaceutical, packaging, automotive, non-standard equipment and others.

Features:

- LED digital display + teaching function
- Strong resistance to ambient light, compact size
- Analog/switch dual output