

# Photoelectric Sensors—Rectangular-OSM41



## Description:

Laser displacement sensor, 655nm laser source, metal housing, LED display and button settings, rich interface. Suitable for pharmaceutical, packaging, automotive, non-standard equipment and others.

## Features:

- Small size, small spot & high accuracy
- More detection mode for different application
- LED display & indicator

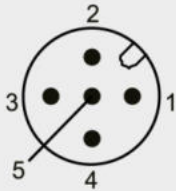
## Type:

Type	Distance	Light source	Output	Resolution	Connection	Wiring
OSM41-KL50CBLIU6	50mm±15mm	Red laser	NPN/PNP+analog mA / V	0.01mm	2m cable	Fig.1
OSM41-KL100CBLIU6	100mm±35mm	Red laser	NPN/PNP+analog mA / V	0.01mm	2m cable	Fig.1
OSM41-KL200CBLIU6	200mm±80mm	Red laser	NPN/PNP+analog mA / V	0.1mm	2m cable	Fig.1
OSM41-KL400CBLIU6	400mm±200mm	Red laser	NPN/PNP+analog mA / V	0.1mm	2m cable	Fig.1
OSM41-KL50CB6/485	50mm±15mm	Red laser	NPN/PNP+485	0.01mm	2m cable	Fig.2
OSM41-KL100CB6/485	100mm±35mm	Red laser	NPN/PNP+485	0.01mm	2m cable	Fig.2
OSM41-KL200CB6/485	200mm±80mm	Red laser	NPN/PNP+485	0.1mm	2m cable	Fig.2
OSM41-KL400CB6/485	400mm±200mm	Red laser	NPN/PNP+485	0.1mm	2m cable	Fig.2

## Technical Data:

Supply voltage	12V DC~24V DC±10%
Power	<1W
Light source	Red laser class II
Switch output	NPN/PNP
Analogue output	Analogue: 0V-5V, 4-20mA
Spot diameter	φ100μm@50mm; φ200μm@100mm; φ500μm@200mm; φ1mm@400mm, φ2mm@600mm
Repeatability	30μm@50mm; 70μm@100mm; 200μm@200mm; 300μm(200mm~400mm); 800μm(400mm~600mm)
Response time	1.5ms/5ms/10ms selectable
Ambient temperature	-10°C... +45°C
Ambient illuminance	3,000lx max.
Protection class	IP67
Housing material	Die-cast zinc
Lens windows	Glass
Connection	2m cable

## Interface output:



CO12.5-2/WS/P  
2m connector  
Fig.1

Serial number	Function	Core color of cable type
1	Power +	BN
2	Analogue output	GY
3	Power -	BU
4	NPN/PNP	BK
5	Enable input	PK

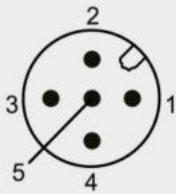
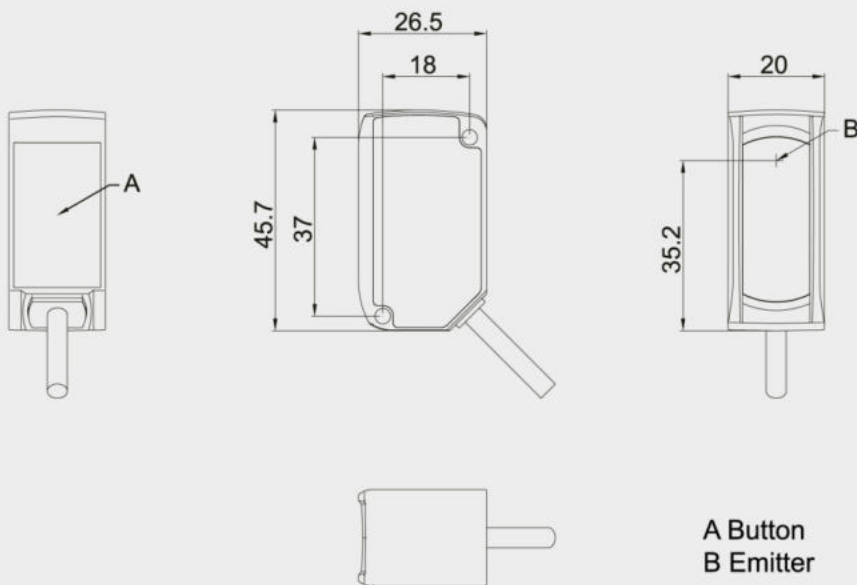


Fig.2

Serial number	Function	Core color of cable type
1	Power +	BN
2	485B	GY
3	Power -	BU
4	NPN/PNP	BK
5	485A	PK

## Dimensions:



ELCO Industrie Automation GmbH  
Benzstrasse 7  
71720 Oberstenfeld  
Deutschland  
E-Mail: [info@elco-automation.de](mailto:info@elco-automation.de)



[www.elco-automation.de](http://www.elco-automation.de)

**C+R Automations- GmbH**

Nürnberger Straße 45  
90513 Zirndorf

Tel. +49 (0)911 656587-0  
E-Mail: [info@crautomation.de](mailto:info@crautomation.de)  
[www.crautomation.de](http://www.crautomation.de)