

# Photoelectric Sensors—Rectangular-OSM58



### Description:

Distance sensor, laser beam, metal housing, setting by LED & teach button, varied output, especially for auto manufacture, equipment, crane collision avoidance, AGV etc.

### Features:

- LED display + LED indicator
- Good performance for ambient light
- Analogue + switch output
- Setting by teach button
- Small size

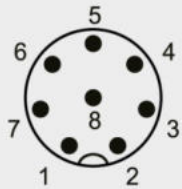
### Type:

Type	Distance	Light source	Output	Resolution	Connection	Wiring
OSM58-KL10V2BLIU6Q12.8	0.1-10m	Red laser	2xPush-Pull analog mAV	2mm	M12 connector	Fig.1

### Technical Data:

Operating voltage	10...30VDC
Power	< 1W
Analog output	0-10V, 4-20mA
Switch output	2xPush-pull
Resolution	2mm
Warmup time	30min
Accuracy	±2cm
Response time	40...50ms
Repeatability	6mm
Green LED	Power on
Yellow LED flashing	Object detecting, teaching
Ambient illuminance	≥40,000 lx
Shock resistance	Complex amplitude 0.5 mm 10 ... 55 Hz (2hr X, Y,Z respectively)
Impact resistance	11ms (30G) 3 times X,Y,Z respectively
Housing material	Stainless Steel
Spot / distance	φ15mm@10m
Ambient temperature	-10 C...+50 C
Connection	M12 connector
Protection class	IP67
Dimensions	61.8x59.5x36.1 mm

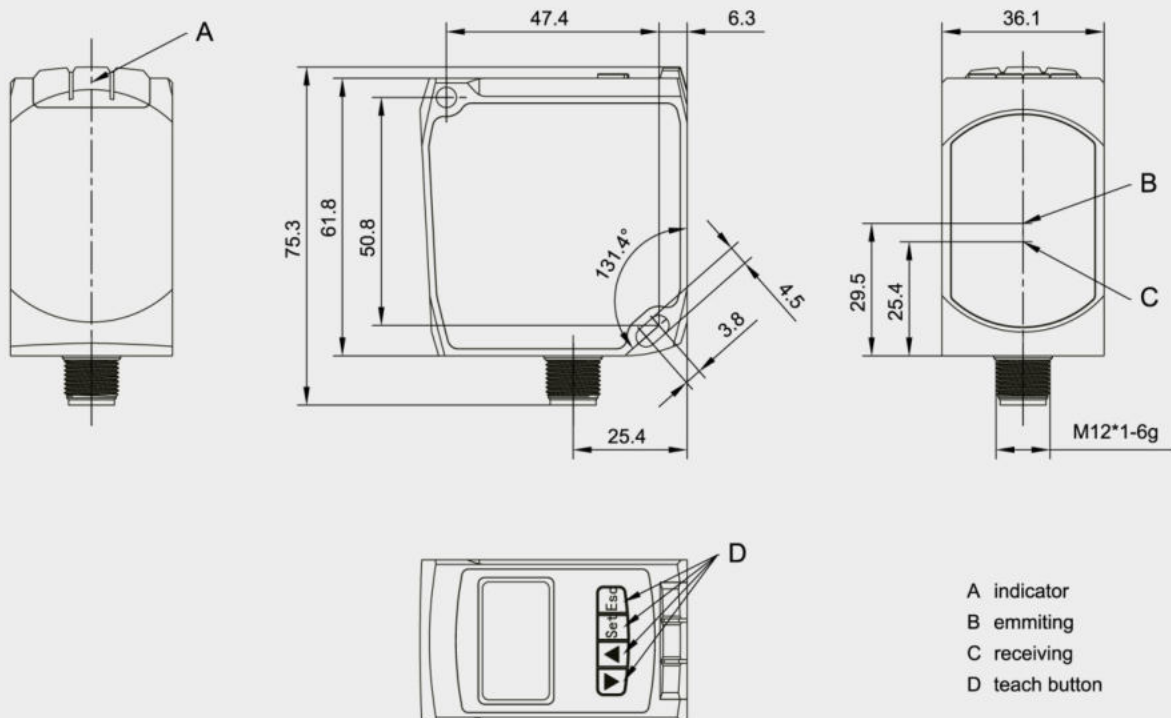
## Interface output:



CO12.8-2/WS/P  
2m connector  
Fig.1

Serial number	Core color of cable type	Function
1	White	N/A
2	Brown	10...30VDC
3	Green	ANALOG OUTPUT(I/V)
4	Yellow	Q1
5	Grey	Q2
6	Pink	N/A
7	Blue	0V
8	Red	MULTIFUNCTION INPUT

## Dimensions:



ELCO Industrie Automation GmbH  
Benzstrasse 7  
71720 Oberstenfeld  
Deutschland  
E-Mail: [info@elco-automation.de](mailto:info@elco-automation.de)



[www.elco-automation.de](http://www.elco-automation.de)

**C+R Automations- GmbH**

Nürnberger Straße 45  
90513 Zirndorf

Tel. +49 (0)911 656587-0  
E-Mail: [info@crautomation.de](mailto:info@crautomation.de)  
[www.crautomation.de](http://www.crautomation.de)