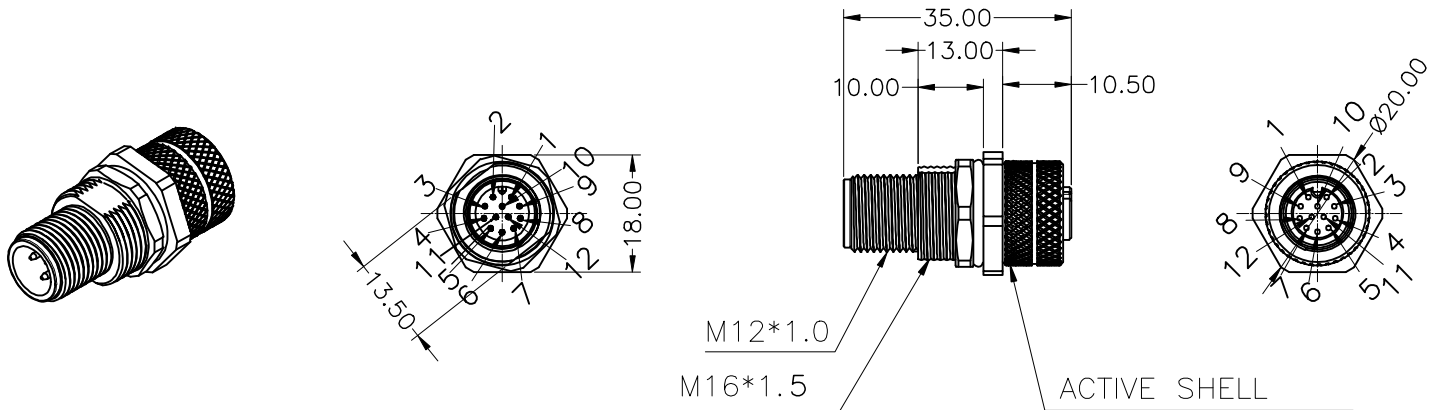


Female to Male connector metal straight M16 with shield

Gender: Female to Male (shell is rotatable)

Part Number: **M12FM-SA001-xx-M16**

Number of contact	2	3	4	5	8	12
Replace "-xx" with:	-02	-03	-04	-05	-08	-12



1. Electrical character

Rating voltage: 30V AC/DC ,
Voltage proof:contacts:500V±15VDC 60S

2. Insulation resistance >100MΩ

3. Rating current: 1.5A

4. Contact resistance ≤15mΩ

5. Other Specification

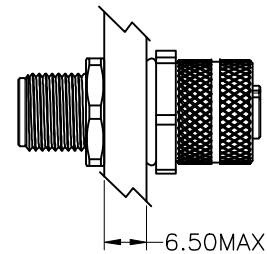
Contact PIN: Brass with Gold plating 1u".

Coupling nut/screw: Brass with nickel plating

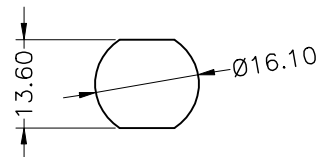
Insulation plastic:PA66+GF

Degree of protection: IP67/IP68

Operating temperature: -25°C ~ +90°C



RECOMMENDED PANEL DIMENSION



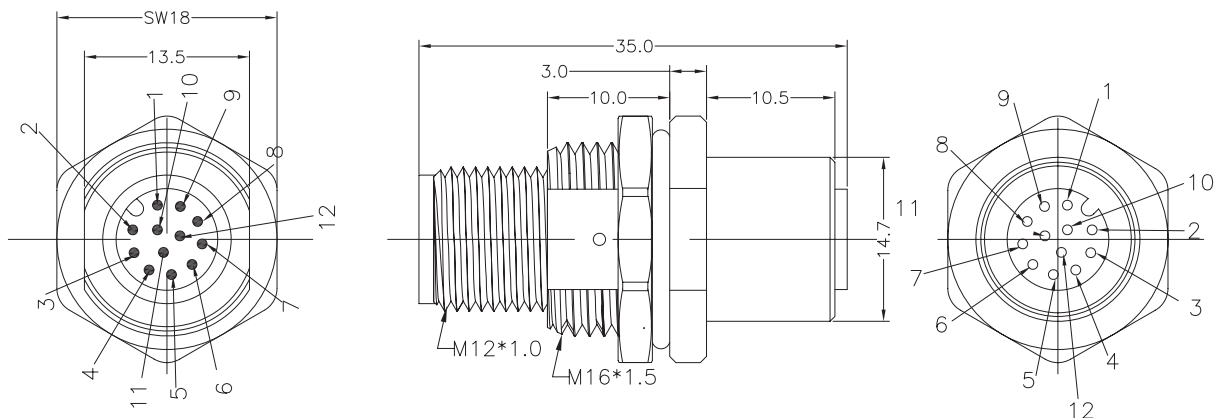
RECOMMENDED PANEL CUT-OUT

Female to Male connector metal straight M16 with shield

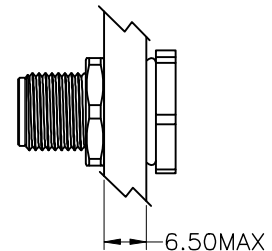
Gender: Female to Male

Part Number: **M12FM-SA002-xx-M16**

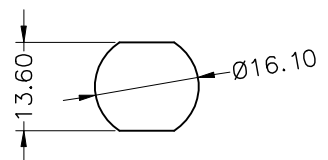
Number of contact	2	3	4	5	8	12
Replace "-xx" with:	-02	-03	-04	-05	-08	-12



1. Electrical character
Rating voltage: 30V AC/DC ,
Voltage proof:contacts:500V±15VDC 60S
2. Insulation resistance >100MΩ
3. Rating current: 1.5A
4. Contact resistance ≤15mΩ
5. Other Specification
Contact PIN: Brass with Gold plating 1u".
Coupling nut/screw: Brass with nickel plating
Insulation plastic:PA66+GF
Degree of protection: IP67/IP68
Operating temperature: -25°C ~ +90°C



RECOMMENDED PANEL DIMENSION



RECOMMENDED PANEL CUT-OUT