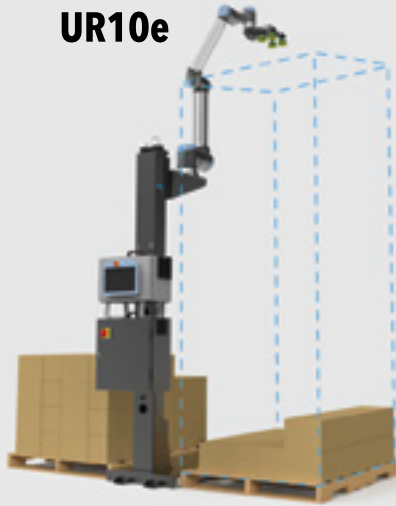


PALLETIZING SOLUTION

A permanent fix for all your staffing woes.

NEW!

AX Series UR10e



Max pallet height 2,750 mm (108 in)

Fully integrated vertical axis for greater heights and optimal performance.

Ideal for handling a wide variety of box sizes and pallet heights.

PE Series UR10e



Max pallet height 1,500 mm (60 in)

Manually adjustable pedestal, from 950 to 1,500 mm (37 to 61 in) high in 50-mm (2-in) increments.

Ideal for less frequent changes in box size and pallet height.

PE Series UR20



Max pallet height 2,150 mm (84 in)

Reaching up to 2150 mm in a single setup.

Ideal for heavier loads and low to moderate pallet heights.

14-DAY DELIVERY LEAD TIME

SPECIFICATIONS

CASE	AX Series	PE Series	PE20 Series	PALLET	AX Series	PE Series	PE20 Series
Max payload without the gripper weight	Up to 12.5 kg (28 lb)		Up to 20 kg (44 lb)	Pallet width	from 300 to 1,219 mm from 12 to 48 in		
Max payload with the optional gripper	Up to 11.5 kg (25 lb)		Up to 18 kg (40 lb)	Pallet depth	from 300 to 1,219 mm from 12 to 48 in		
Max throughput	Up to 13 cycles/min*			Pallet height (filled)	max 2,750 mm max 108 in	max 1,550 mm max 60 in	max 2,150 mm max 84 in**

*For one of multiple cases. Throughput depends on box weight, dimensions, and surface, as well as pallet dimensions and layout.

**Dependant on pallet pattern, box dimensions and end of arm tool design.



ADAPTABLE

Effectively manage a wide range of box sizes, shapes, weights, and packaging materials. Hardware and software offer maximum flexibility and adapt to your production variety.



USER FRIENDLY

Easy to operate, no matter your robotics knowledge level. The intuitive interface and intelligent software make it easy for anyone to teach the robot confidently and risk-free.

“ The ROI was a slam dunk from the beginning, from how much labor it saved. The installation process was the smoothest install of any piece of equipment I have had to experience in 28 years. ”

—Greg Thayer, VP

ROBOTIQ units | NEW Robotiq Palletizing Solution

Robotiq Palletizing Solution

Looking for more information on the Robotiq Palletizing Solution? Check out our related content and eLearning below!

Get to know

Videos Learning E-Books Doc

Robotiq Palletizing Solution - Product video

KPIs

Configuration
Extension bracket: ON
Version: Default
Robot Type: UR10

Box
254 x 304.8 x 127 mm
3 kg

Pallet
1076 x 1219.2 x 150 mm
48 boxes, 4 layers
144 kg

Process
12 boxes/min
4:00 min/pallet

GET A QUOTE

Once your simulation is done, request a quote directly within the Configurator.

designer.suite.robotiq.com/palletizing

CONNECT WITH AN EXPERT

 ROBOTIQ

1-888-Robotiq
robotiq.com

