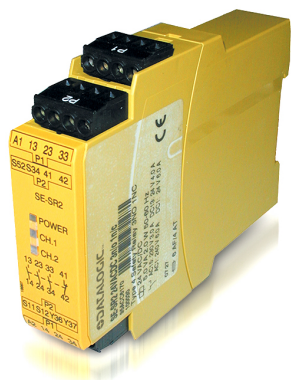


Sicherheitsrelais SE-SR2

SE-SR2 is a safety unit that can be used in combination with every Safety Light Curtains. It provides dual-channel operation without detection of shorts across contacts. Short circuits and earth faults in the pushbutton circuit are detected.



PL (EN ISO 13849-1)	e
SIL (IEC 61508)	3
ELECTRICAL DATA	
Power supply	24 Vdc -15/+10%
Outputs	
Safe outputs (Cat. 4)	3 NO
Auxiliary outputs	1 NC
Response time	
Following input going OFF	typ. 10 ms, max. 20 ms
With power failure	typ. 70 ms, max. 120 ms
Recovery time	
Following inputs going ON	50 ms
After power on	150 ms
MECHANICAL AND ENVIRONMENTAL DATA	
Operating temperature	-10 ... +55°C
Humidity	15 ... 95 % (no condensation)
Mechanical protection	IP20
FUNCTIONS	
Reset modes	Automatic/Manual/Monitored
External Device Monitoring	Available on SE-SR2

C+R Automations- GmbH

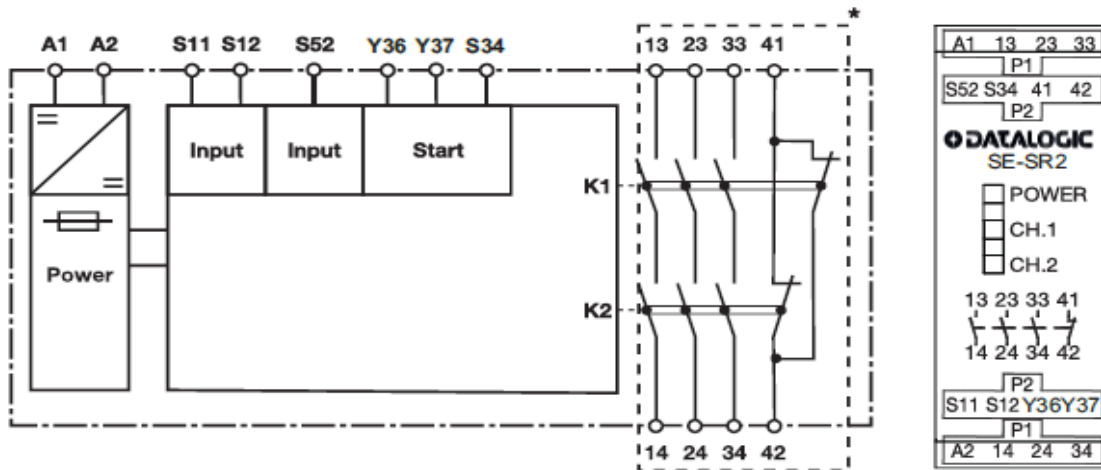
Nürnberger Straße 45
90513 Zirndorf

Tel. +49 (0)911 656587-0
Fax +49 (0)911 656587-99

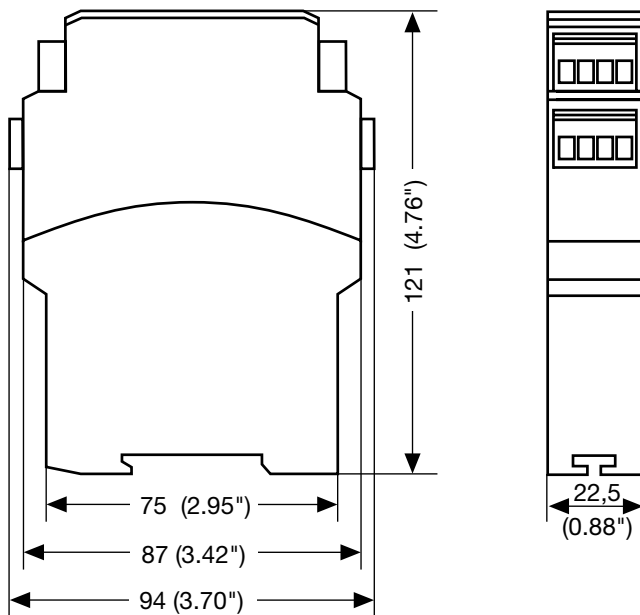
E-Mail: info@crautomation.de Änderungen vorbehalten
www.crautomation.de

Sicherheitsrelais SE-SR2

INTERNAL DIAGRAM OF SE-SR2



SE-SR2 DIMENSIONS



C+R Automations- GmbH

Nürnberger Straße 45
90513 Zirndorf

Tel. +49 (0)911 656587-0
Fax +49 (0)911 656587-99

E-Mail: info@crautomation.de
www.crautomation.de

Änderungen vorbehalten