

Smaller and Stronger

ESP series Distribution Boxes



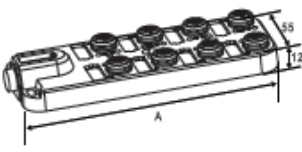
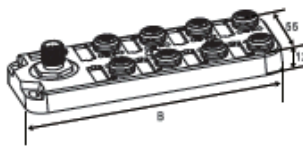
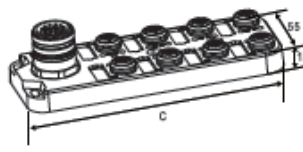
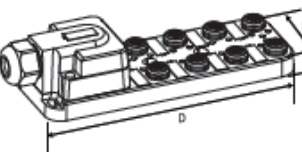
C+R Automations- GmbH
Nürnberger Straße 45
90513 Zirndorf

Tel. +49 (0)911 656587-0
E-Mail: info@crautomation.de
www.crautomation.com



M12 Distribution Boxes

Connection Type	Technical Data			
	Pre-wired Cable	M12 Connector	M23 Connector	Terminal
No. of Ports	4,6,8-port			4, 8-port
Channels per Port	1 signal/2 signals	1 signal/2 signals (4-port)	1 signal/2 signals	
Output Type	PNP/NPN			
Supply Voltage	10-30VDC			
Supply Voltage Indicator	LED green			
Status Indicators	LED yellow			
Connector/Cable Length	Standard 3M/5M/10M			—
Cable/Connector	Standard PUR/ PP Bending ≥ 5 million	12-pin M12 connector	23-pin M12 connector	—
Housing Material	PC + ABS			
Temperature Range	-40...+80°C			
Protection Class	IP67			

Dimensions			
Pre-wired Cable	M12 Connector	M23 Connector	Terminal
A:4,6,8-port	B:4,6,8-port	C:4,6,8-port	D:4,8-port
93/119/145mm	93/119/145mm	93/119/145mm	113/165mm
			

Plastic distribution box ESP series (M12 socket, with M12 connector)

Description:

Plastic housing, 4-/6-/8-way, M12 connector, single/double signal (4-way)

Features:

- Optional output PNP (optional NPN)
- LED indicator and high protection class IP67
- Standard M12 connector



Type List	ESP4-12-2P-Q12	ESP6-12-2P-Q12	ESP8-12-2P-Q12	ESP4-12-3P-Q12
Technical Data				
Output Function	1 signal			2 signals
Output Type	PNP			PNP
Connection for Sensors/Actuators	4-pin M12 female			5-pin M12 female
Locking Sockets	Threaded M12x1			
Supply Voltage	10...30VDC (24VDC)			
Supply Voltage Indicator	LED green			
I/O Channels	4			
Signals per Port	1			2
Status Indicators	LED yellow			
Operating Current	Max. 1.5A / per contact			
Current Parameter	Max. 1.5A			
	Please do not operate cables above max. load capacity.			
Housing Material	Plastic PC + ABS			
Protection Class	IP67			
Temperature Range	-40...+80°C			
Resistance	Good resistance against chemicals and oils. The resistance to aggressive media should be individually verified for your application.			
Connector	M12(12pins)			



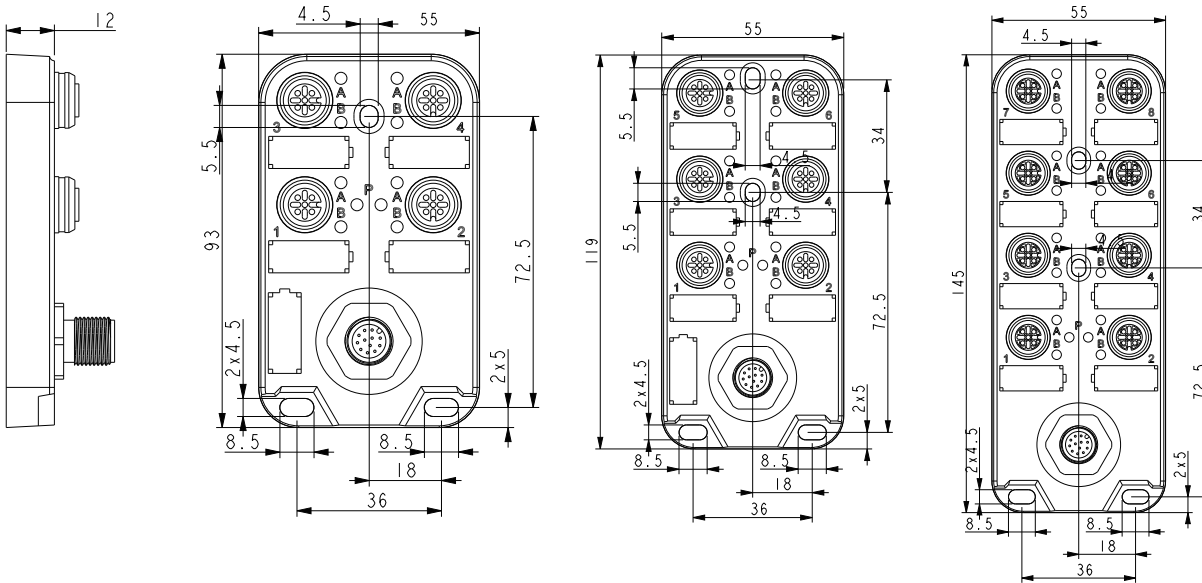
C+R Automations- GmbH

Nürnberger Straße 45
90513 Zirndorf

Tel. +49 (0)911 656587-0
E-Mail: info@crautomation.de
www.crautomation.de

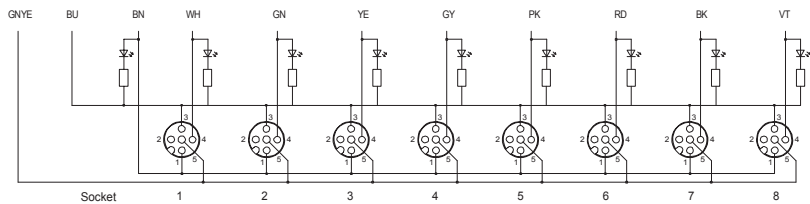
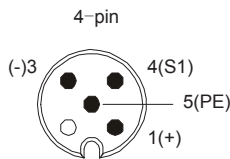
Plastic distribution box ESP series (M12 socket, with M12 connector)

Dimensions

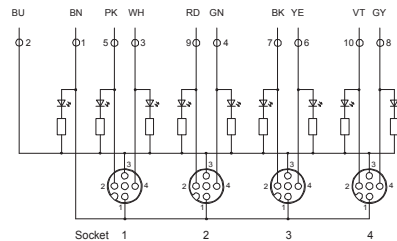
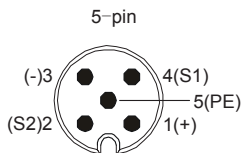


Pin Assignment / Wiring Diagram

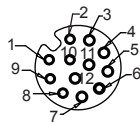
LED indicator PNP
3+PE



LED indicator PNP
4+PE



Pin Assignment



12-pin M12 Male	Suggested Cable Color
1	BN
2	BU
3	WH
4	GN
5	PK
6	YE
7	BK
8	GY
9	RD
10	VT
11	GY/PK
12	RD/BU

C+R Automations- GmbH

Nürnberger Straße 45
90513 Zirndorf

Tel. +49 (0)911 656587-0
E-Mail: info@crautomation.de
www.crautomation.de

Plastic distribution box ESP series (M12 socket, with pre-wired cable)

Description:

Plastic housing, 4-/6-/8-way, pre-wired cable, single/double signal

Features:

- Optional output PNP (optional NPN)
- LED indicator and high protection class IP67
- Standard 3m PUR cable (optional PVC and cable length)



Type List	ESP4-12-2P-3 / P	ESP6-12-2P-3 / P	ESP8-12-2P-3 / P	ESPx-12-3P-3 / P
Technical Data				
Output Function	1 signal		2 signals	
Output Type	PNP		PNP	
Connection for Sensors/Actuators	4-pin M12 female		5-pin M12 female	
Locking Sockets	Threaded M12x1			
Supply Voltage	10...30VDC (24VDC)			
Supply Voltage Indicator	LED green			
I/O Channels	4			
Signals per Port	1		2	
Status Indicators	LED yellow			
Operating Current	Max. 2A			
Current Parameter	Max. 8A			
	Please do not operate cables above max. load capacity.			
Housing Material	Plastic PC + ABS			
Protection Class	IP67			
Temperature Range	-40...+80°C			
Resistance	Good resistance against chemicals and oils. The resistance to aggressive media should be individually verified for your application.			
Cable Material	Standard PUR / PP Bending≥5 million			
Length	3m			



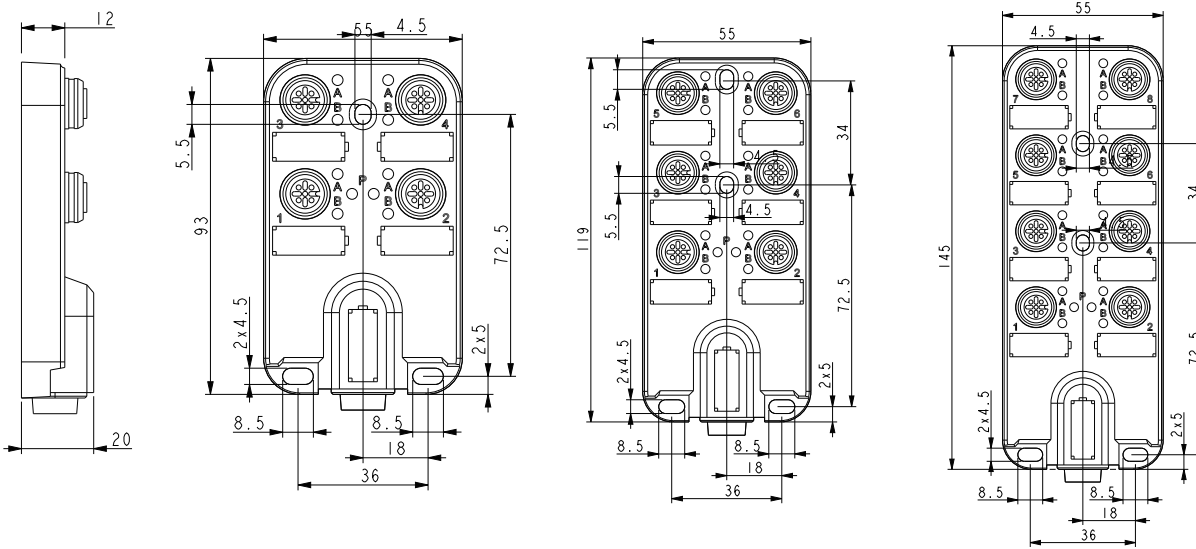
C+R Automations- GmbH

Nürnberger Straße 45
90513 Zirndorf

Tel. +49 (0)911 656587-0
E-Mail: info@crautomation.de
www.crautomation.de

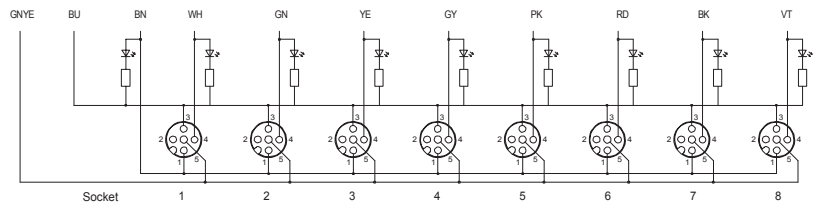
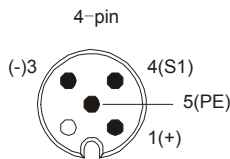
Plastic distribution box ESP series (M12 socket, with pre-wired cable)

Dimensions

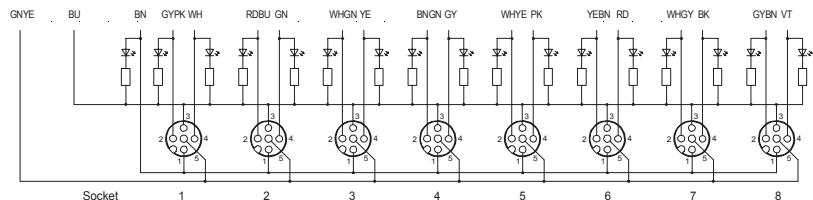
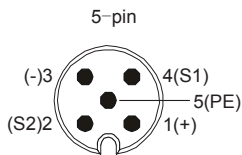


Pin Assignment / Wiring Diagram

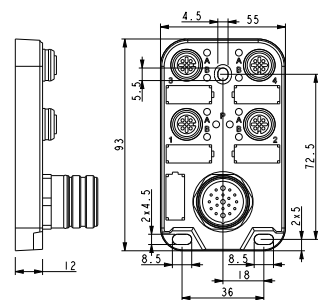
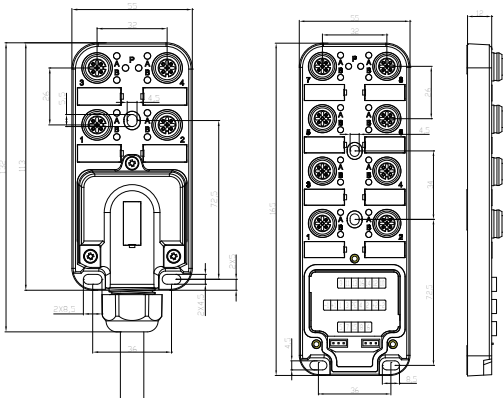
LED indicator PNP
3+PE



LED indicator PNP
4+PE



Optional (on request): ESP box with connector hood (4-/8-way) + ESP box with M23 connector (4-/6-/8-way)



C+R Automations- GmbH

Nürnberger Straße 45
90513 Zirndorf

Tel. +49 (0)911 656587-0
E-Mail: info@crautomation.de
www.crautomation.de