

Description:

Standard M12, M8 threaded connection, female to male interface.
3, 4, 5-core are available. Degree of protection IP67.

Features:

- TPU covering
- A-coded interface

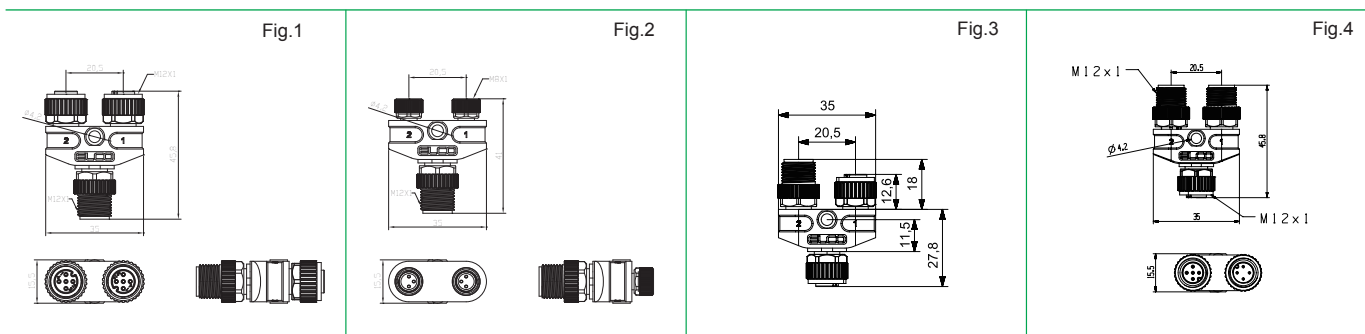


Type Code

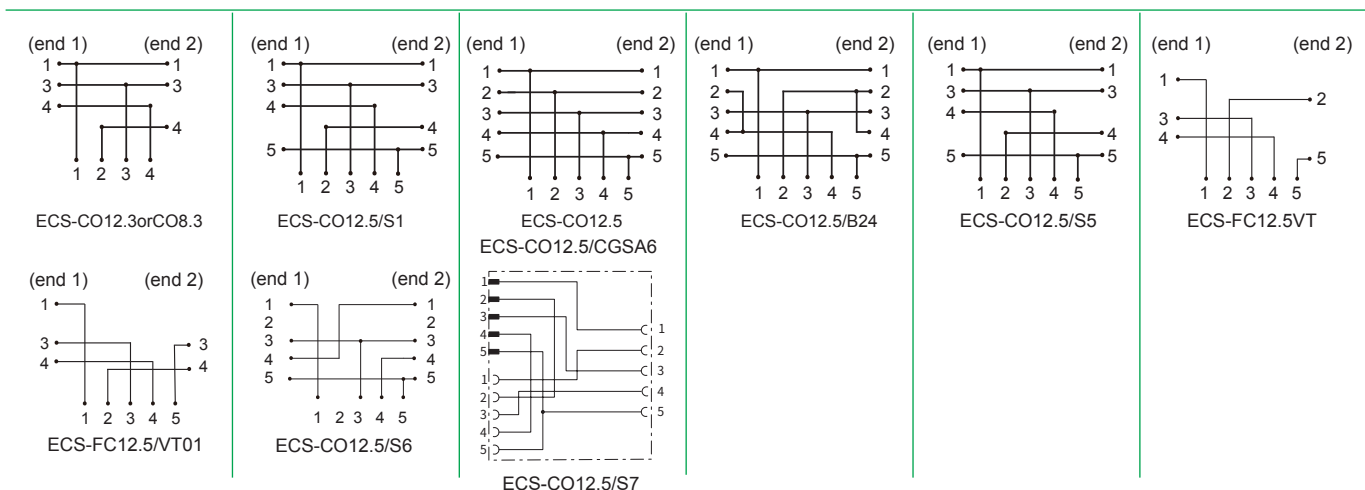
Cable jacket	Description	Type	Pin	Rated current/voltage	Figure
Standard	Universal T adapter	ECS-CO12.3	4-3/3	4A/60V	Fig.4
	Universal T adapter	ECS-CO12.3/L	4-3/3	4A/30V	Fig.4
	Universal T adapter	ECS-CO12.3/LN	4-3/3	4A/30V	Fig.4
	Universal T adapter	ECS-CO8.3	4-3/3	4A/60V	Fig.2
	Universal T adapter	ECS-CO8.3/L	4-3/3	4A/30V	Fig.2
	Universal T adapter	ECS-CO8.3/LN	4-3/3	4A/30V	Fig.2
Special	Special T adapter	ECS-CO12.5	5-5/5	4A/60V	Fig.1
	Special T adapter	ECS-CO12.5/S5 (S6)	5-4/4	4A/60V	Fig.1
	Special T adapter	ECS-CO12.5/S1	5-4/4	4A/60V	Fig.1
	Special T adapter	ECS-CO12.5/B24	5-4/4	4A/60V	Fig.1
	Special T adapter	ECS-FC12.5VT (VT01)	5-4/4	4A/60V	Fig.4
	Special T adapter	ECS-CO12.5/CGSA6 (S7)	5-4/4 (5-5/5)	4A/60V	Fig.3

Selection Instructions

Dimensions



Wiring Diagram



ELCO Industrie Automation GmbH
Benzstrasse 7
71720 Oberstenfeld
Deutschland
E-Mail: info@elco-automation.de



www.elco-automation.de

C+R Automations- GmbH

Nürberger Straße 45
90513 Zirndorf

Tel. +49 (0)911 656587-0
E-Mail: info@crautomation.de
www.crautomation.de